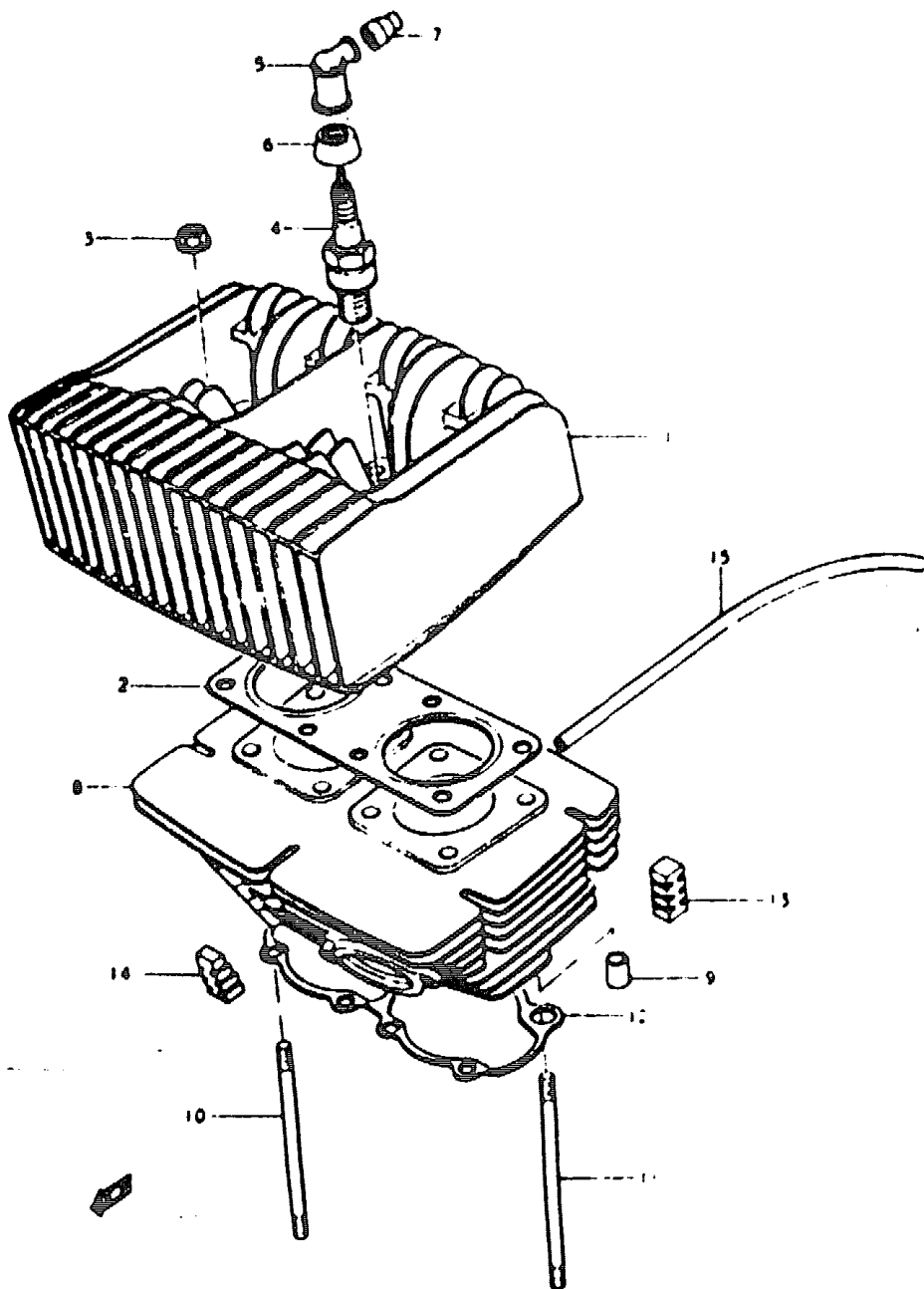
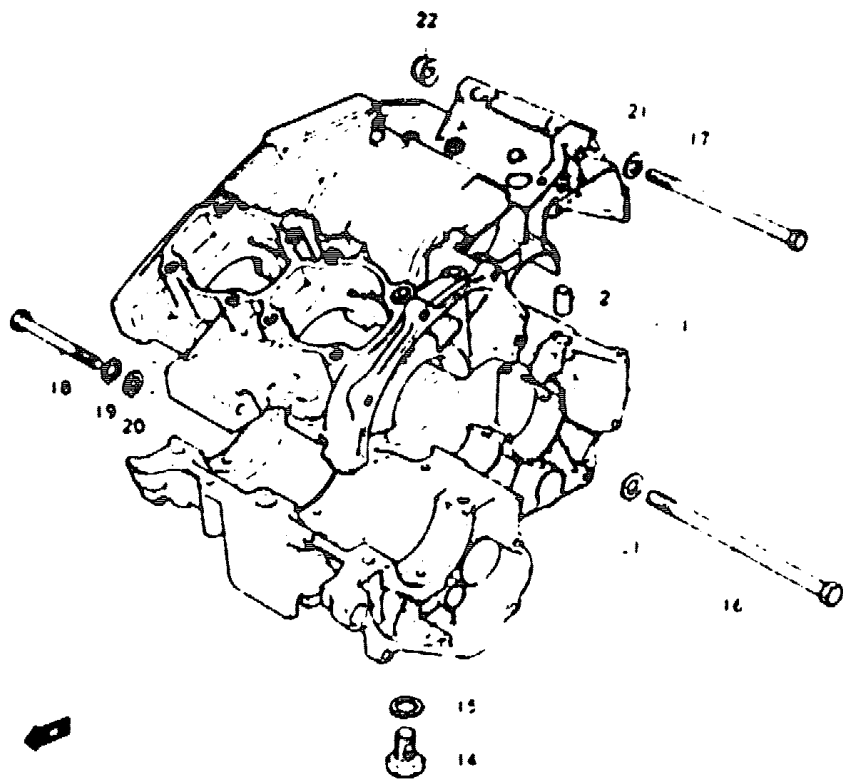


FIG.1 CYLINDER



N° Réf.	N° Pièce	Désignation
1	11111-10500	Cylinder Head
2	11141-10500	Gasket, Cylinder Head
3	06310-16088	Nut
4	09482-00091	Spark Plug
4	09482-00092	Spark Plug
5	33510-23310	Cap, Spark Plug
6	33541-69010	Seal, Spark Plug
7	33542-23310	Seal, High Tension Cord
8	11210-10301	Cylinder
9	09200-13001	Pin
10	09108-08058	Stud Bolt, No.1
11	09108-06057	Stud Bolt, No.2
12	11241-10200	Gasket, Cylinder
13	11251-10200	Rubber Pad, Cylinder
14	11251-10300	Rubber Pad, Cylinder Front
15	09343-05129	Hose, Breather

FIG.2 CRANKCASE



N° Réf.	N° Pièce	Désignation
1	11300-10830	Crankcase Set
2	09206-13001	. Pin
3	01517-08858	. Bolt, No.1
4	01517-08758	. Bolt, No.2
5	01517-06658	. Bolt, No.3
6	01517-08558	. Bolt, No.4
7	01517-08358	. Bolt, No.5
8	01517-06908	. Bolt, No.6
9	01517-06808	. Bolt, No.7
10	01517-06658	. Bolt, No.8
11	01517-06608	. Bolt, No.9
12	01517-06508	. Bolt, No.10
13	01517-06308	. Bolt, No.11
14	09247-14007	Plug, Drain
15	09168-14004	Gasket
16	09100-10040	Bolt, Engine Mounting No.1
17	09150-10051	Bolt, Engine Mounting No.2
18	01107-08758	Bolt
19	08321-31088	Lock
20	08322-11088	Washer
21	08322-11108	Washer
22	08319-31108	Nut

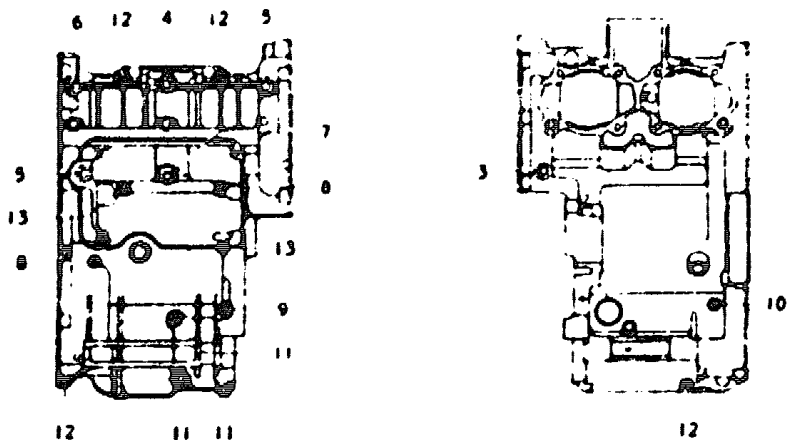
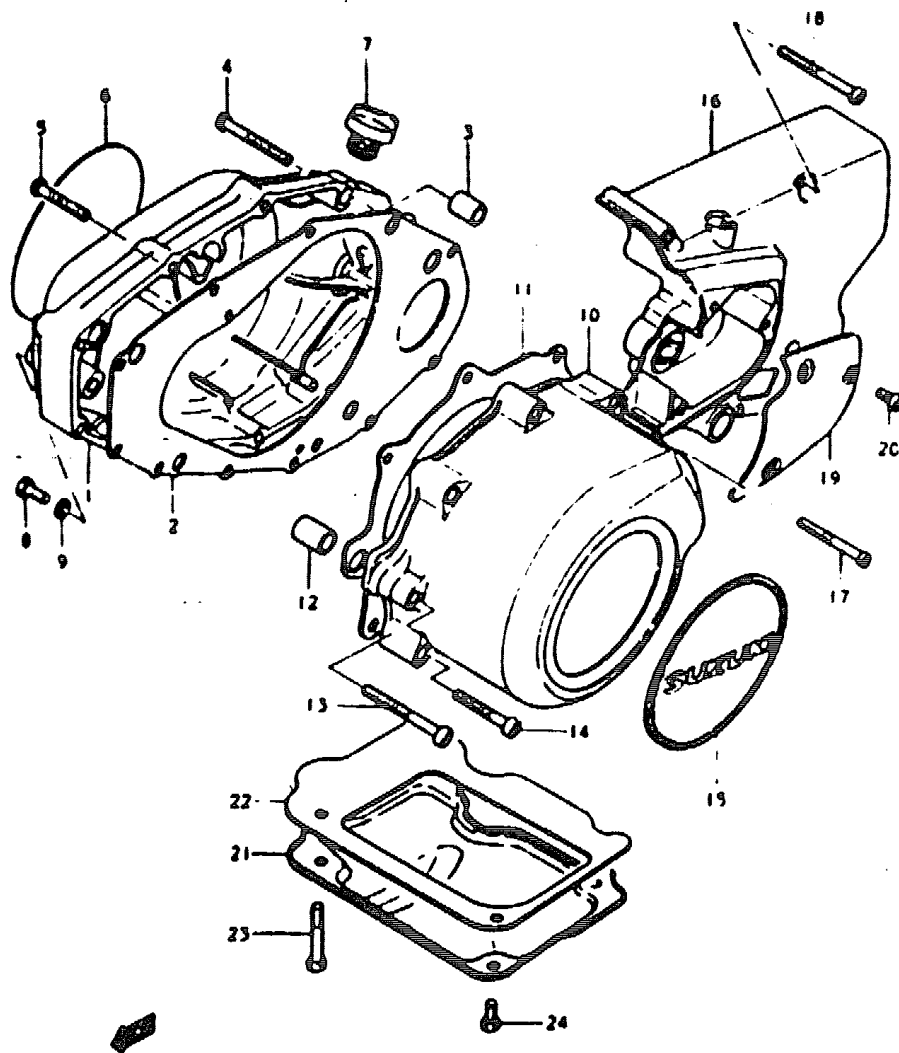
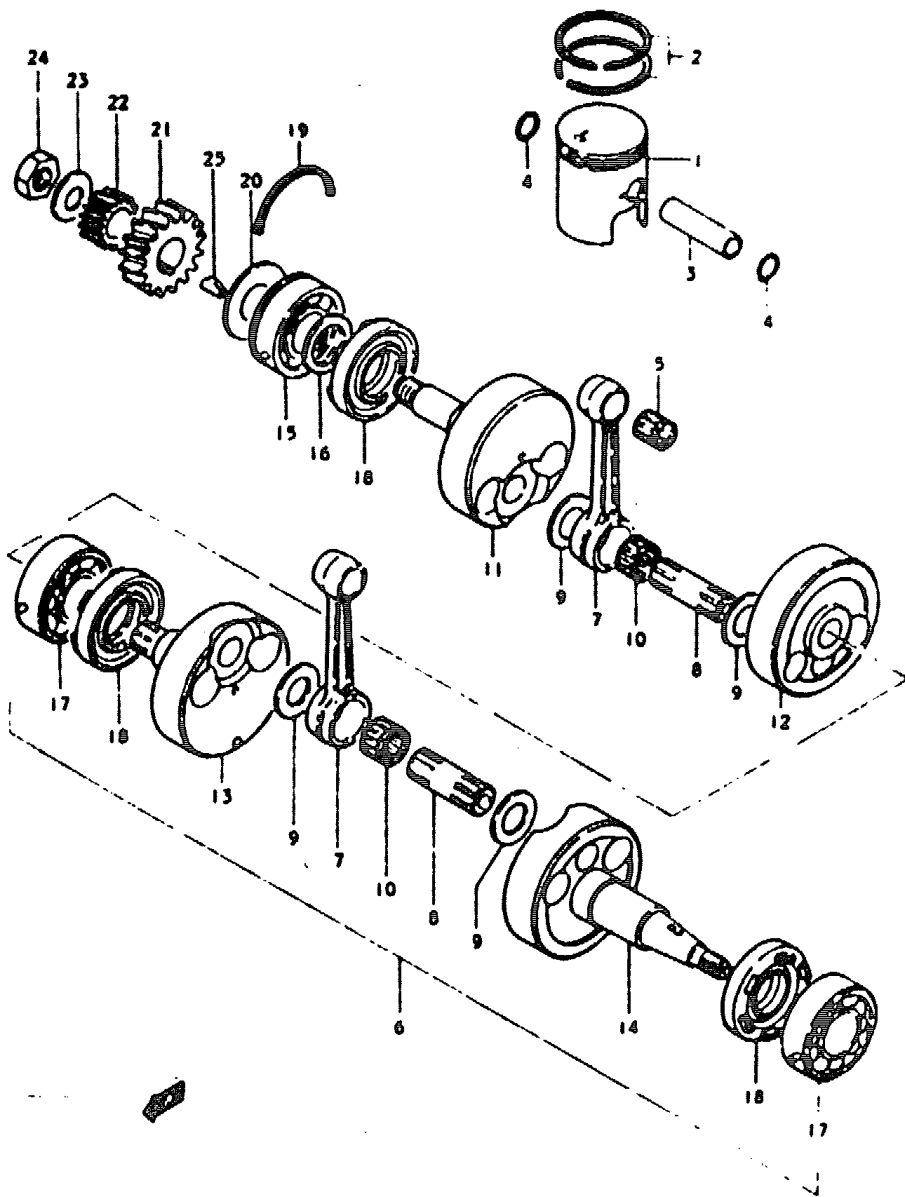


FIG.3 CRANKCASE COVER



N° Réf.	N° Pièce	Désignation
1	11341-10300	Cover, Clutch
2	11482-10200	Gasket, Clutch Cover
3	09206-13001	Pin
4	02112-06508	Screw
5	02112-06358	Screw
6	68233-36200	Emblem
7	09259-19001	Plug, Oil Filler
8	09128-06004	Plug, Oil Level
9	09168-06001	Gasket
10	11351-10300	Cover, Magneto
11	11483-10200	Gasket
12	09206-13001	Pin
13	02112-06508	Screw
14	02112-06358	Screw
15	68233-36200	Emblem
16	11361-10300	Cover, Engine Sprocket
17	02112-06458	Screw
18	02112-06557	Screw
19	11387-10300	Cap, Release Adjusto
20	02112-05088	Screw
21	11382-10200	Cover, Starter Motor
22	11493-10200	Gasket
23	01107-06208	Bolt
24	09100-06011	Bolt

FIG.4 CRANKSHAFT



N° Réf.	N° Pièce	Désignation
1	12110-10202	Piston
1	12110-10202-050	Piston
1	12110-10202-100	Piston
2	12140-28630	Ring Set, Piston
2	12140-28630-050	Ring Set, Piston
2	12140-28630-100	Ring Set, Piston
3	12151-07000	Pin, Piston
4	09381-14001	Circlip
5	09263-14006	Bearing
6	12200-10300	Crankshaft Assy
7	12161-12002	. Rod, Connecting
8	12211-10300	. Pin, Crank
9	09160-19001	. Thrust Washer
10	09263-19009	. Bearing
11	12221-10300	. Crankshaft, Rh
12	12231-10300	. Web, Crank
13	12241-10300	. Crankshaft, Middle
14	12261-10300	. Crankshaft, Lh
15	09262-25036	. Bearing, Rh
16	08211-25343	. Thrust Washer
17	09262-25034	. Bearing, Lh & Middle
18	09289-30007	. Oil Seal, Middle
19	09390-62009	C Ring, Rh
20	09160-20025	Washer
21	21111-10200	Gear, Primary Drive
22	26421-10300	Gear, Tachometer Drive No.1
23	09164-16002	Washer
24	09140-16002	Nut
25	08341-31059	Key

FIG.5 STARTER CLUTCH

N° Réf.	N° Pièce	Désignation
1	12611-10200	Gear, Starter Idle
2	09206-13003	Pin
3	08211-14201	Washer
4	12600-10830	Starter Clutch Set
5	09261-15001	. Roller
6	09440-04015	. Spring
7	12633-31000	. Piece, Push
8	09106-08006	Bolt
9	09263-25020	Bearing
10	08211-25381	Washer
11	12649-45000	Shim, Starter Clutch

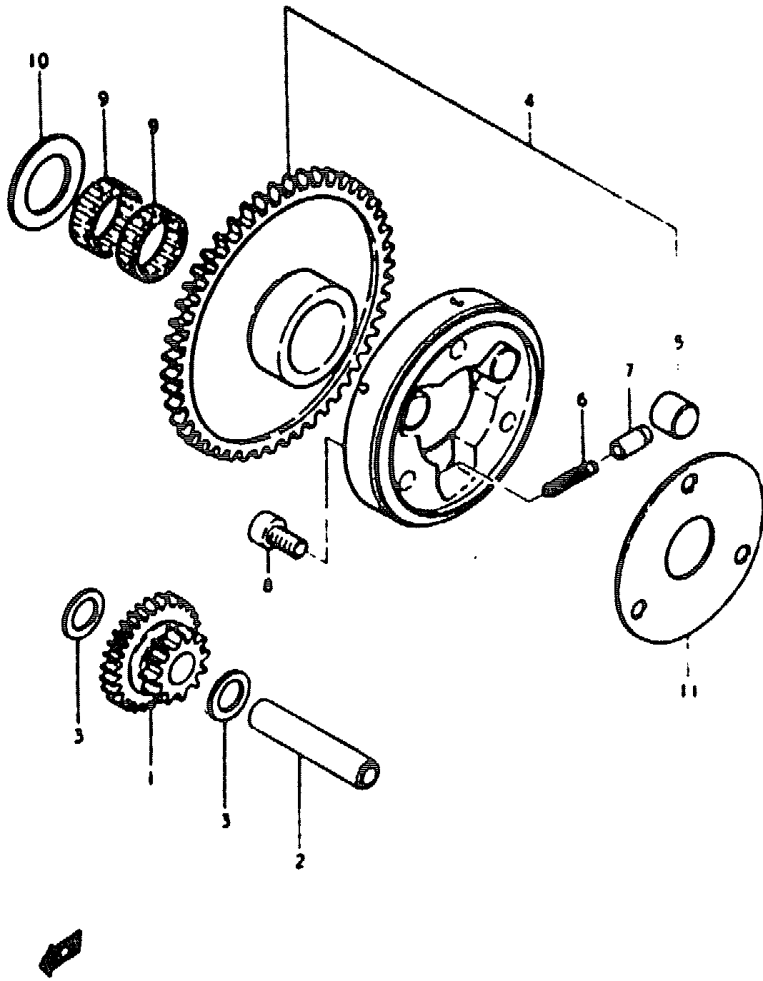
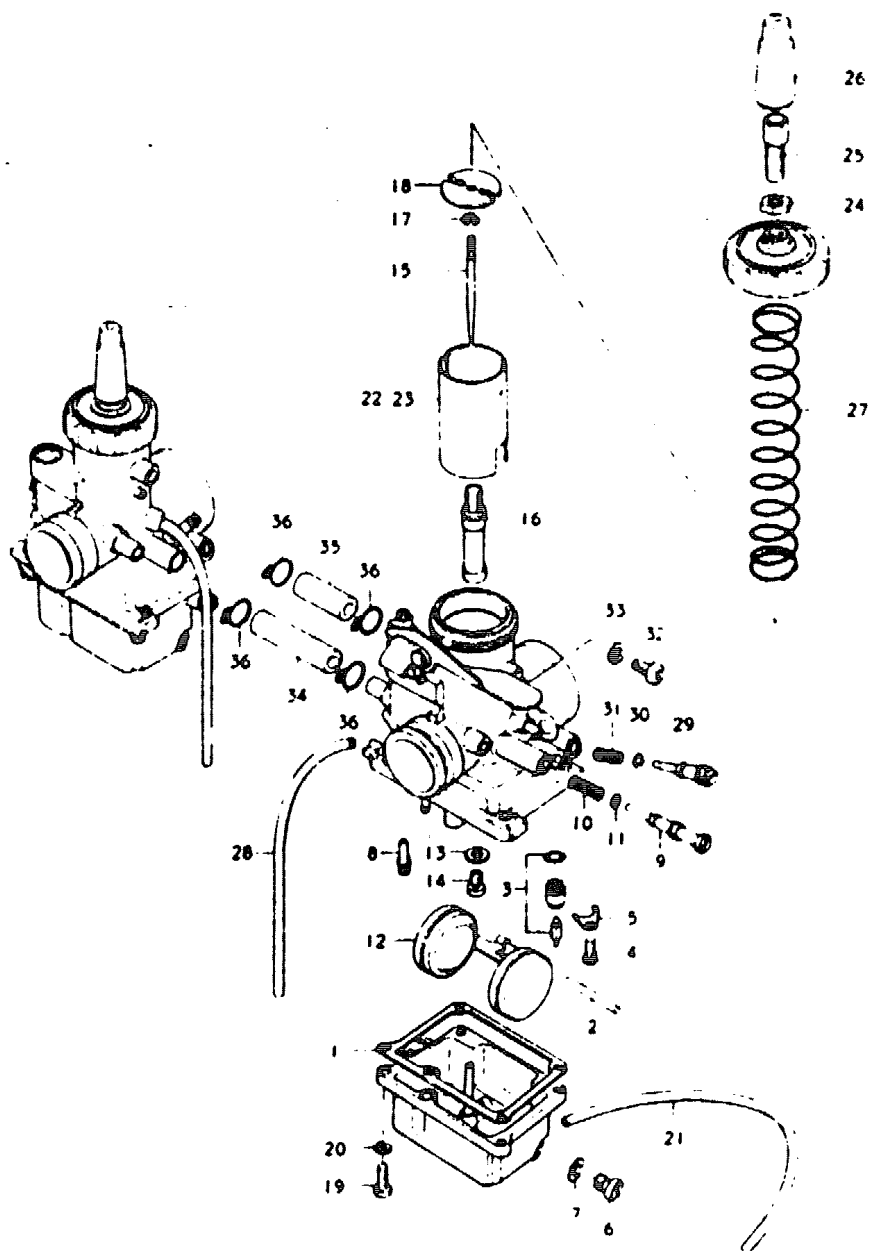
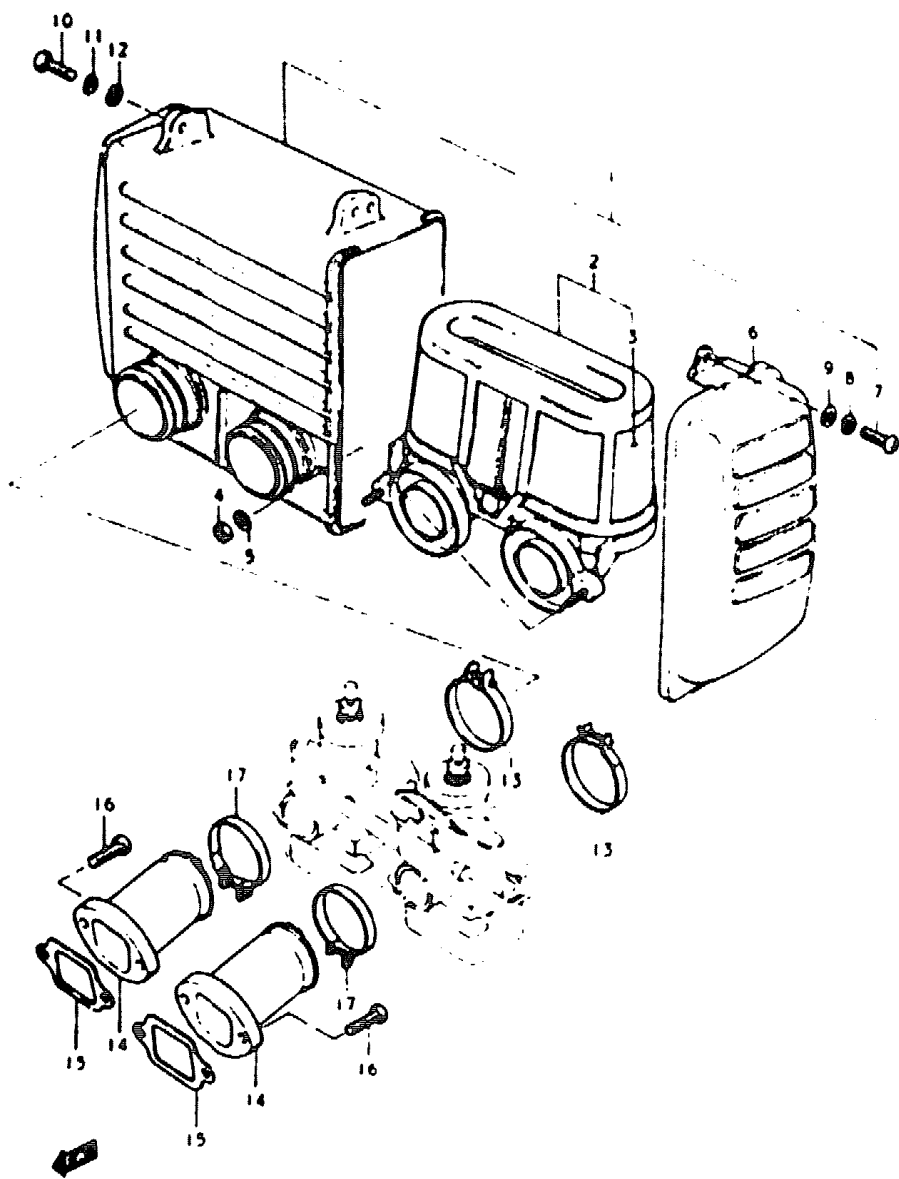


FIG.6 CARBURETOR



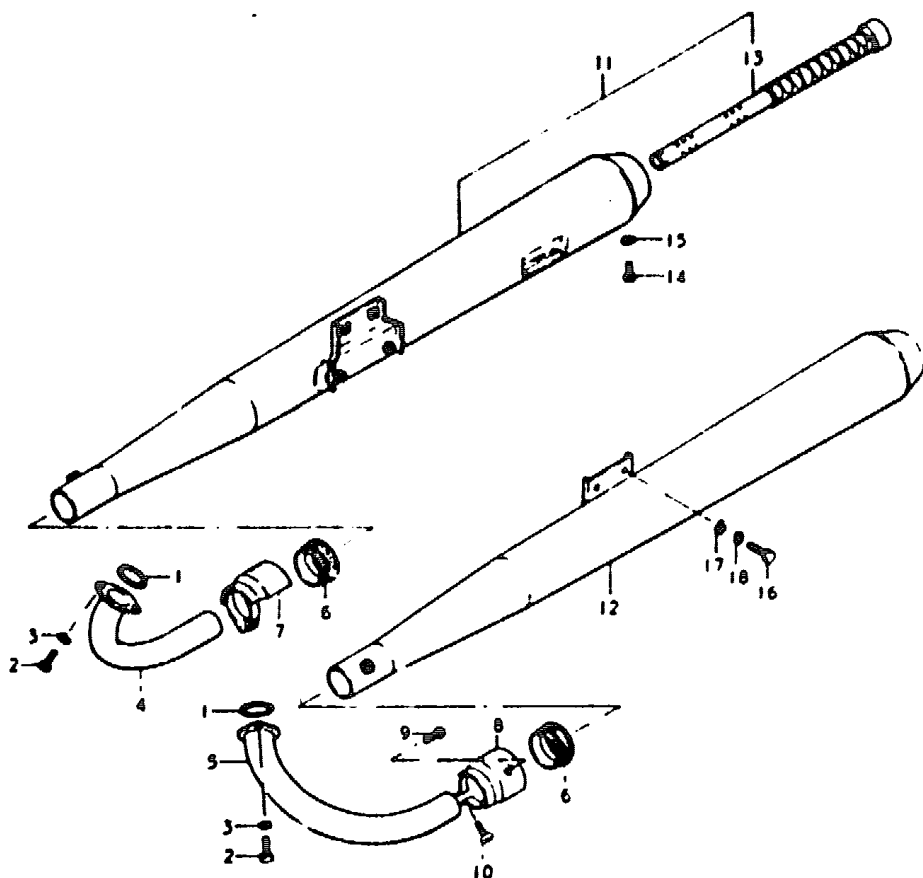
N° Réf.	N° Pièce	Désignation
11	13201-10300	Carburetor Assy, Rh
11	13202-10300	Carburetor Assy, Lh
1	13251-36210	. Gasket
2	13254-01010	. Pin, Float
3	13370-46710	. Valve Assy, Needle
4	02112-04088	. Screw
5	13373-46710	. Plate, Needle Valve
6	13247-05010	. Plug, Drain
7	13249-05010	. Gasket
8	09492-20002	. Jet, Pilot
9	13267-36600	. Screw, Stop
10	13268-46010	. Spring
11	13294-30010	. O Ring
12	13252-36110	. Float
13	13382-03110	. Washer
14	09491-82002	. Jet, Main
15	13383-10300	. Needle, Jet
16	09494-00252	. Jet, Needle
17	13394-10010	. E Ring
18	13581-10300	. Plate, Spring
19	02112-04168	. Screw
20	08321-21048	. Lock Washer
21	13684-30650	. Hose, Over Flow
22	13551-10300	. Valve, Throttle Lh
23	13561-10300	. Valve, Throttle Rh
24	13661-16600	. Nut
25	13577-03010	. Adjuster, Cable
26	13661-33010	. Boot
27	13573-08210	. Spring
28	13683-39110	. Hose, Breather
29	13269-15010	. Screw, Air
30	13295-33010	. O Ring
31	13268-35010	. Spring
32	13602-05068	. Screw
33	13523-46110	. Gasket
34	13687-10300	. Hose
35	13683-31600	. Hose
36	13671-11300	. Clip

FIG.7 AIR CLEANER



N° Réf.	N° Pièce	Désignation
1	13700-10210	Cleaner Assy, Air
2	13780-10200	. . Filter Assy
3	13781-10200	.. . Filter
4	08310-11058	. . Nut
5	08322-21058	. . Washer
6	13740-10210	. . Cap
7	02112-05168	. . Screw
8	08321-21058	. . Lock Washer
9	08322-21058	. . Washer
10	02112-06168	Screw
11	08321-21068	Lock Washer
12	08322-21068	Washer
13	09402-42306	Clamp, Air Inlet Hose
14	13110-10300	Pipe, Intake
15	13121-10200	Gasket
16	02112-06208	Screw
17	09402-38306	Clamp

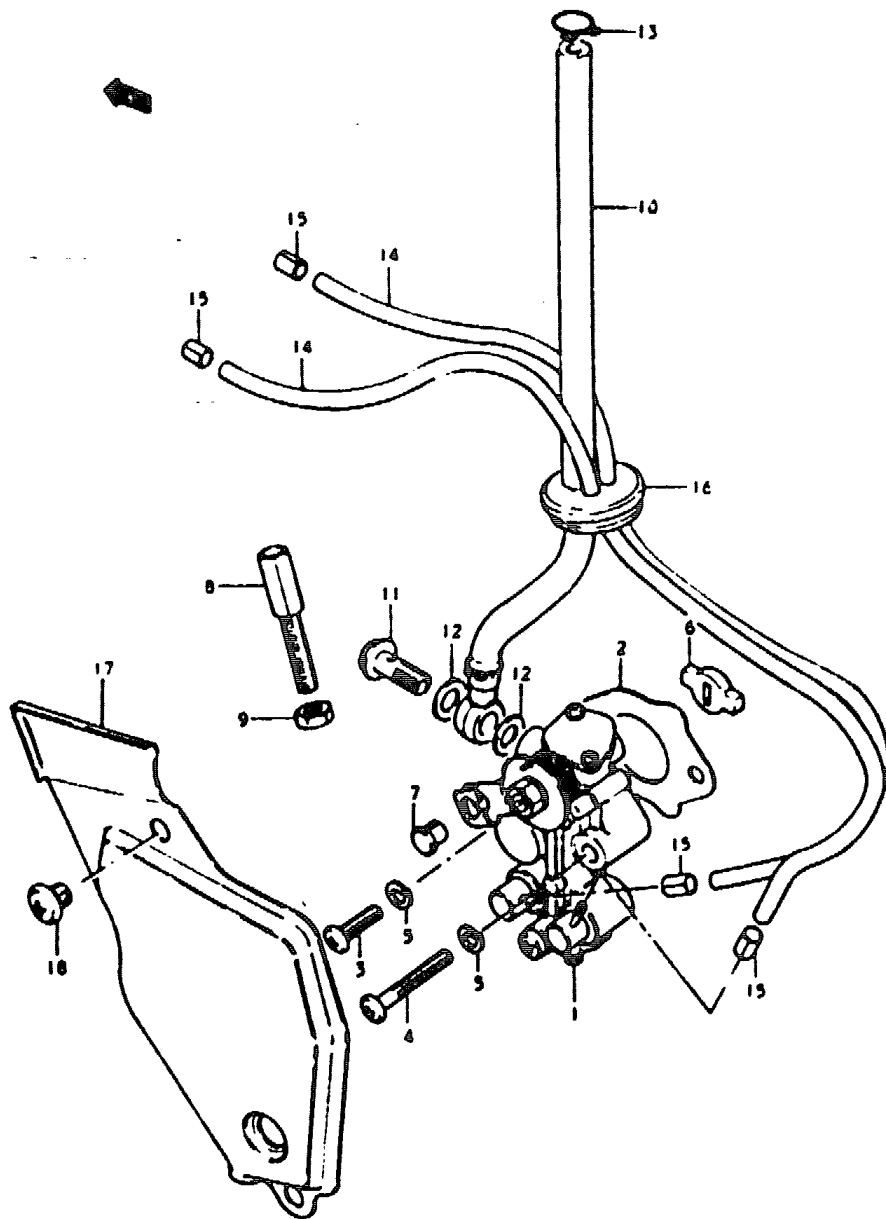
FIG.8 MUFFLER



N° Réf.	N° Pièce	Désignation
1	14181-11010	Gasket, Exhaust Pipe
2	01107-08208	Bolt
3	08321-21088	Lock Washer
4	14150-10300	Pipe, Exhaust Rh
5	14160-10300	Pipe, Exhaust Lh
6	14771-10300	Connector
7	14780-10300	Cover, Rh
8	14790-10300	Cover, Lh
9	02112-05068	Screw
10	02112-05168	Screw
11	14301-10310	Muffler Assy, Rh
12	14302-10310	Muffler Assy, Lh
13	14510-39002	• . Pipe, Battle
14	09128-05004	• . Screw
15	08321-21058	• . Lock Washer
16	01107-08208	Bolt
17	08322-11088	Washer
18	08321-21088	Lock Washer

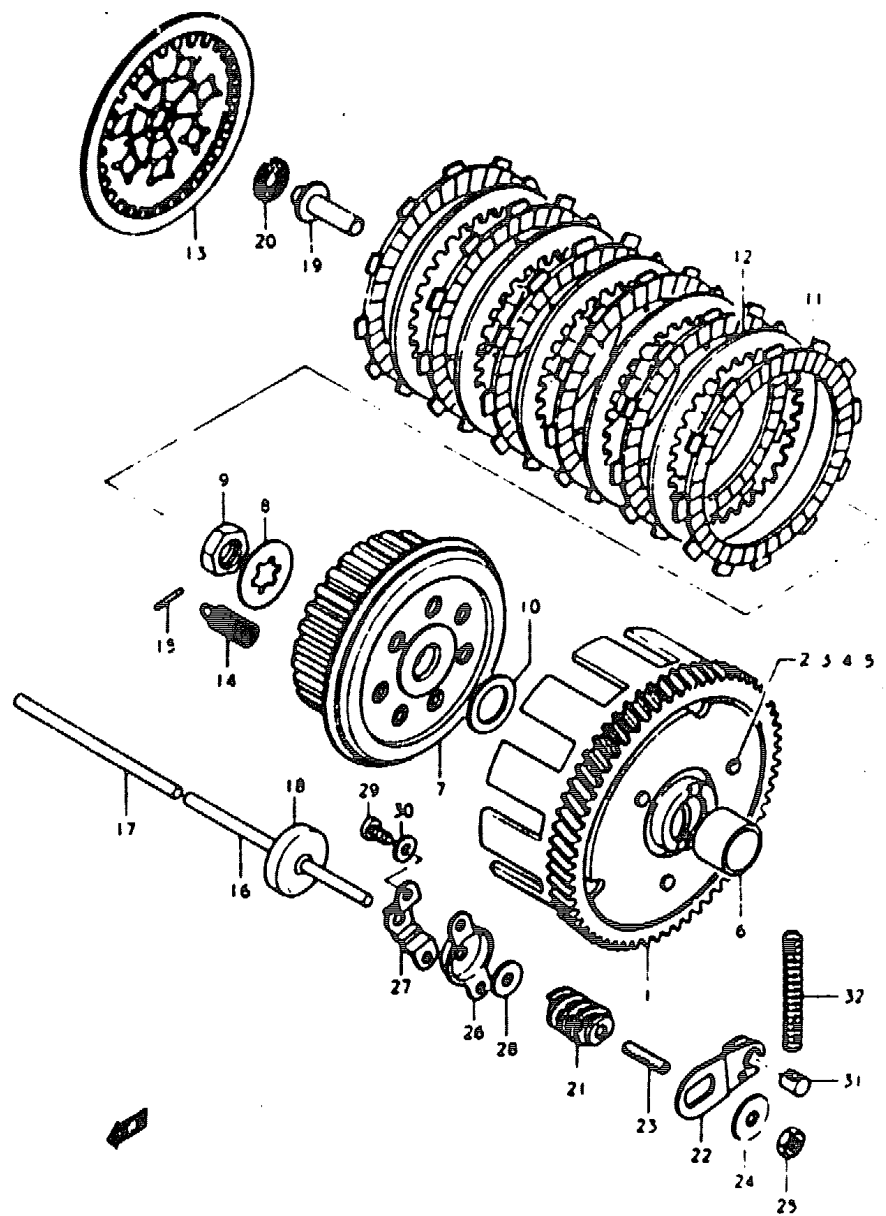


FIG.9 OIL PUMP



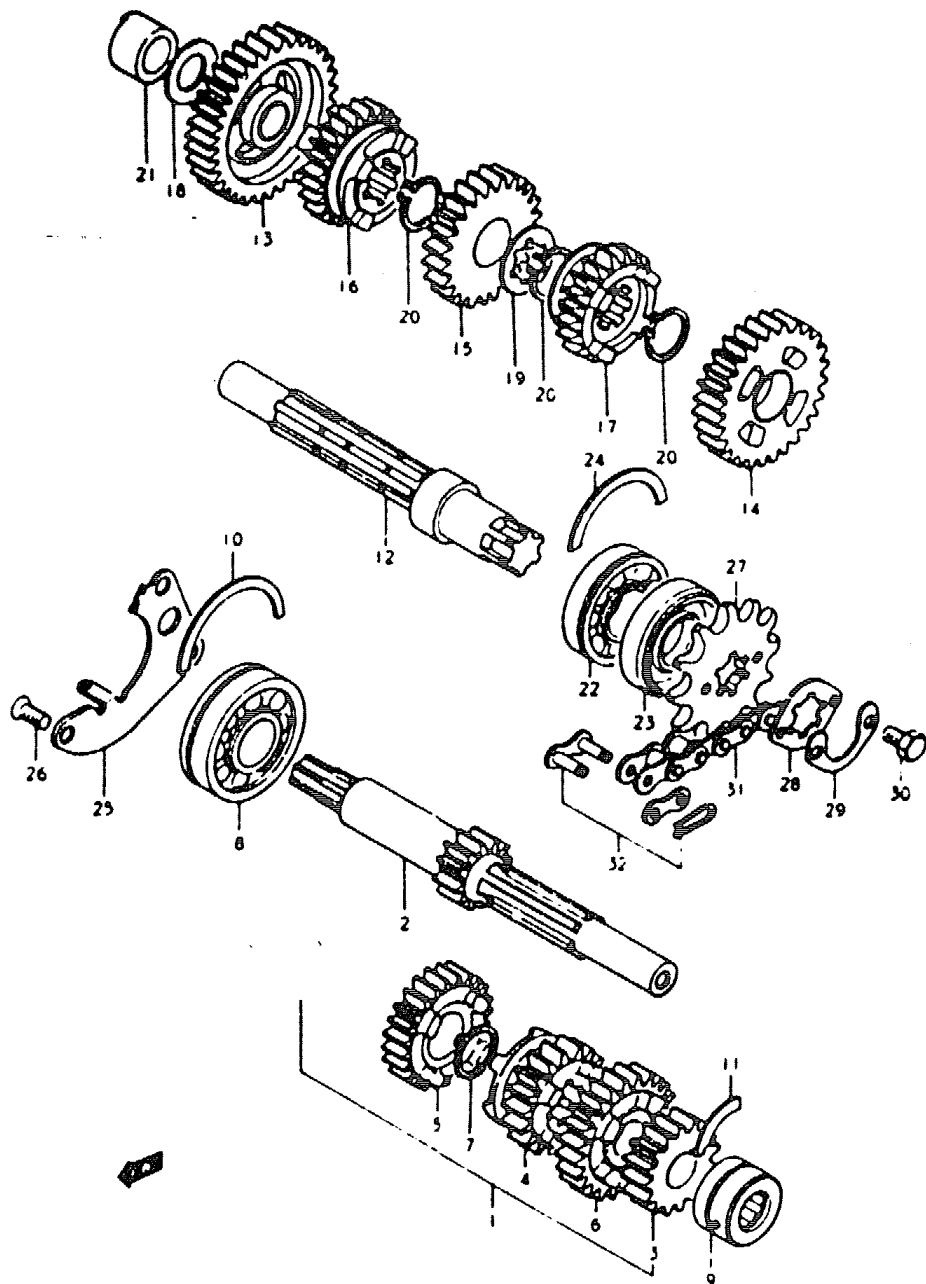
N° Réf.	N° Pièce	Désignation
1	16100-10210	Pump Assy, Oil
2	16731-03101	Gasket
3	02112-05168	Screw
4	02112-05308	Screw
5	08321-21058	Lock Washer
6	16391-05030	Piece
7	16292-03111	Terminal, Cable
8	09119-08014	Bolt
9	08310-12088	Nut
10	16810-10200	Hose, Oil No.1
11	09360-06003	Union Bolt
12	09168-06004	Gasket
13	09401-08401	Clamp
14	16821-29300	Hose, Oil No.2
15	09401-04401	Clip
16	16831-10200	Grommet
17	11385-10200	Cap, Inspection
18	02112-06088	Screw

FIG.10 CLUTCH



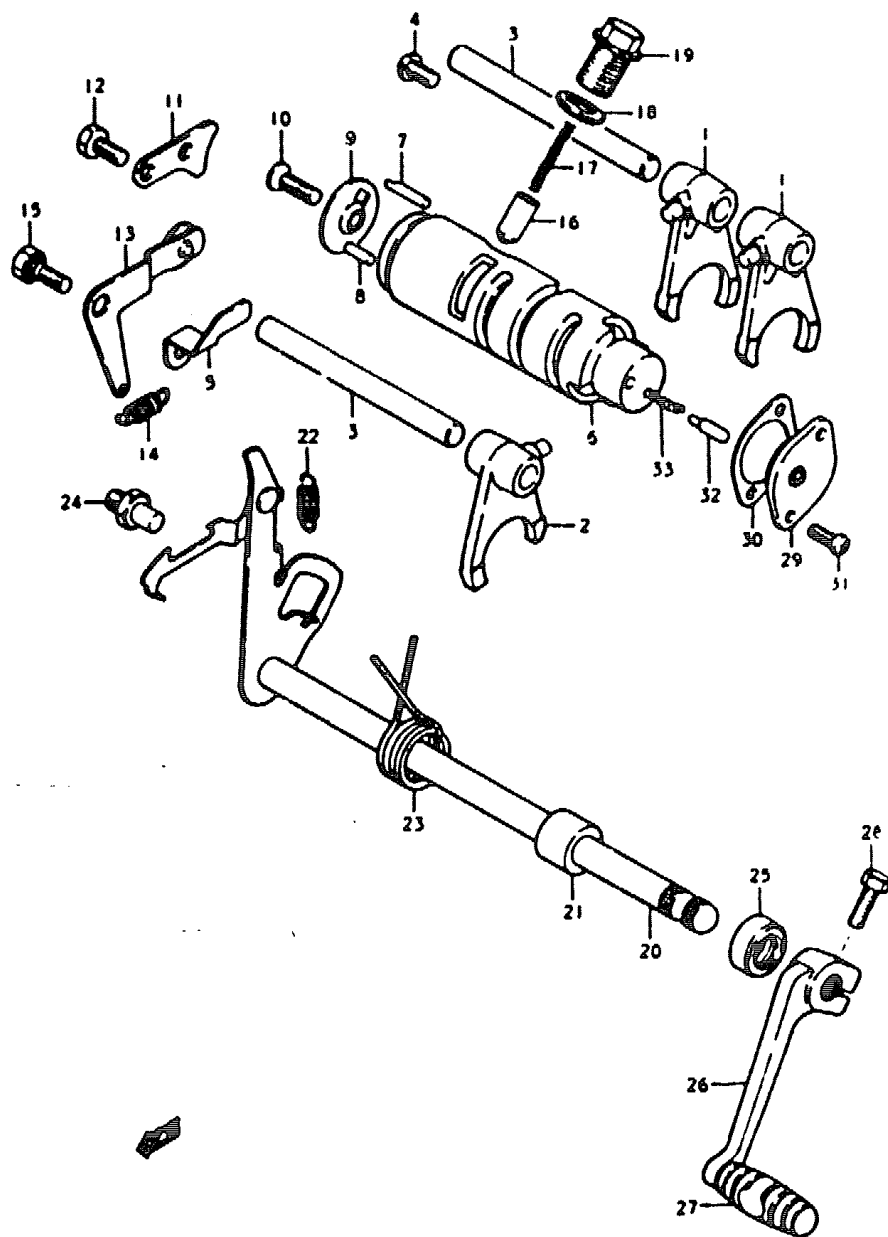
N° Réf.	N° Pièce	Désignation
1	21200-10200	Gear Assy, Primary Driven
2	21231-28040	• . Damper, No.1
3	21232-36240	• . Damper, No.2
4	21241-28001	• . Plate
5	05022-05249	• . Rivet
6	09180-20068	Spacer
7	21410-28700	Hub, Sleeve
8	09167-17002	Washer
9	09140-16001	Nut
10	08211-17282	Thrust Washer
11	21441-28300	Plate, Drive
12	21451-28000	Plate, Driven
13	21460-28000	Disk, Pressure
14	09443-12010	Spring
15	09261-02001	Pin
16	23111-10000	Rod, Push No.1
17	23111-10200	Rod, Push No.2
18	09285-06009	Oil Seal
19	23121-39100	Piece, Push
20	09263-10002	Thrust Bearing
21	23211-36200	Screw, Clutch Release
22	23212-07202	Arm, Clutch Release
23	09134-06001	Screw
24	09160-06020	Washer
25	08310-22068	Nut
26	23241-36200	Cover
27	23245-36200	Holder, Dust Seal
28	09281-05001	Dust Seal
29	05111-05128	Screw
30	08322-21058	Washer
31	23222-07000	Piece, Arm End
32	09440-08001	Spring

FIG. 11 TRANSMISSION



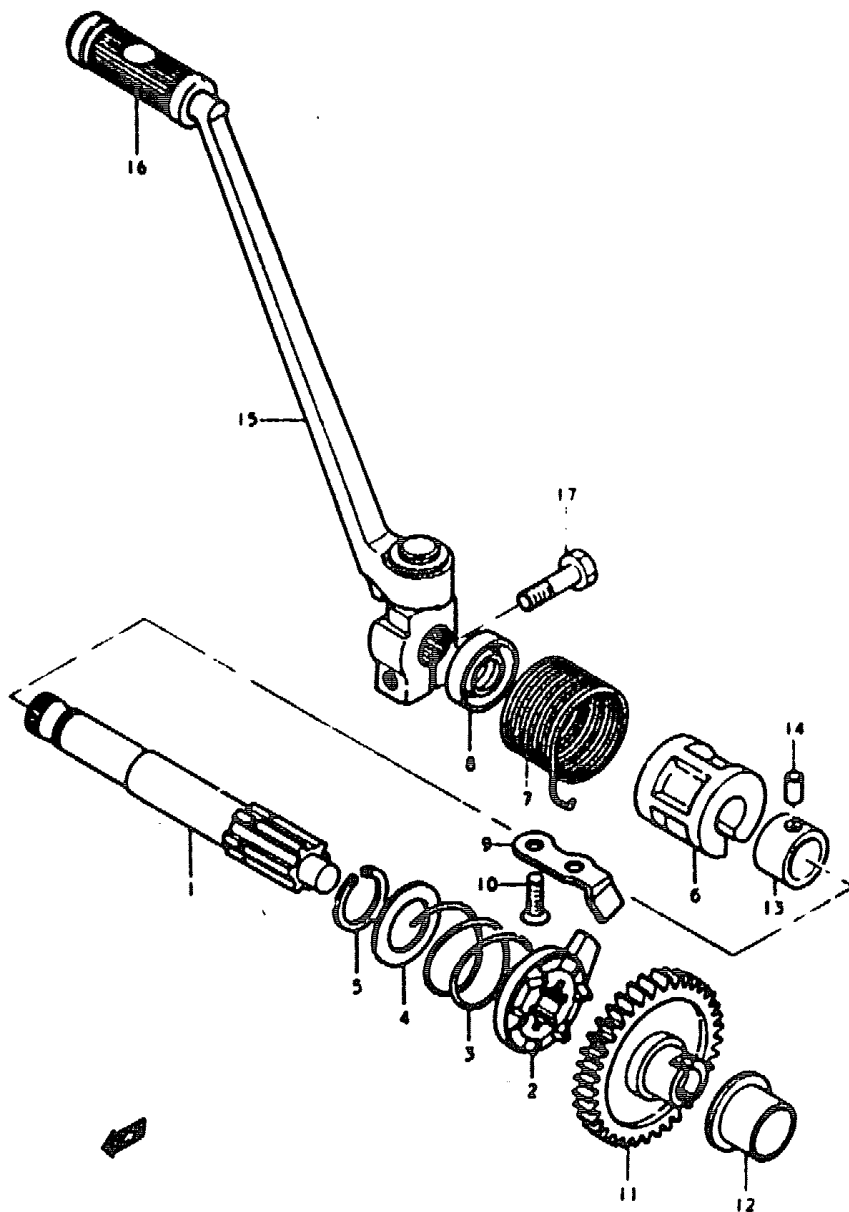
N° Réf.	N° Pièce	Désignation
1	24120-10300	Countershaft Assy
2	24121-10200	. . Shaft, Counter
3	24221-10300	. . Gear, 2nd Drive
4	24231-10300	. . Gear, 3rd Drive
5	24241-10301	. . Gear, 4th Drive
6	24251-10300	. . Gear, 5th Drive
7	09380-20003	. . Circlip
8	08160-63040	Bearing, Rh
9	09263-15011	Bearing, Lh
10	09390-52002	Ring, Rh
11	09399-30003	Ring, Rh
12	24131-10200	Shaft, Drive
13	24310-10200	Gear, 1st Driven
14	24320-10300	Gear, 2nd Driven
15	24331-10300	Gear, 3rd Driven
16	24341-10301	Gear, 4th Driven
17	24351-10300	Gear, 5th Driven
18	08211-15262	Washer
19	09167-20007	Washer
20	09380-20003	Circlip
21	09300-15007	Bushing, Rh
22	09262-20047	Bearing, Lh
23	09283-20016	Oil Seal, Lh
24	09390-47002	Ring, Lh
25	24741-10200	Retainer, Counter Shaft Bearing
26	02122-06128	Screw
27	27511-10300	Sprocket, Engine
28	27512-36200	Plate
29	27513-36200	Lock Washer
30	09100-06074	Bolt
31	27600-10210	Chain Assy, Drive
32	27620-36110	. . Joint

FIG.12 GEAR SHIFTING



N° Réf.	N° Pièce	Désignation
1	25211-10200	Fork, Gear Shifting No.1
2	25221-10200	Fork, Gear Shifting No.2
3	25411-48000	Shaft, Fork
4	02142-06108	Stopper, Fork Shaft No.1
5	25451-10200	Stopper, Fork Shaft No.2
6	25311-10300	Cam, Gear Shifting
7	09209-04013	Pin
8	09261-04002	Pin
9	25322-10300	Retainer, Drive Pin
10	02122-06168	Screw
11	25341-03000	Guide, Cam
12	01107-06128	Bolt
13	25350-10200	Stopper, Cam No.1
14	09443-08005	Spring
15	09111-06003	Bolt
16	25351-18000	Stopper, Cam No.2
17	09440-05018	Spring
18	09168-14004	Gasket
19	25352-11000	Housing, Cam Stopper
20	25510-10200	Shaft, Gear Shifting
21	09180-12083	Spacer
22	09443-08017	Spring
23	09444-26012	Spring
24	25671-01000	Stopper, Arm
25	09285-12002	Oil Seal
26	25600-10300	Lever Assy, Gear Shifting
27	25652-16500	• Rubber
28	09100-06091	Bolt
29	37720-10200	Body, Gear Shifting Switch
30	37712-10200	Gasket
31	02112-05128	Screw
32	09209-05011	Contact
33	09440-04010	Spring

FIG.13 KICK STARTER



N° Réf.	N° Pièce	Désignation
1	26211-10200	Shaft, Kick Starter
2	26231-34000	Starter, Kick
3	09440-32002	Spring
4	08212-22342	Plate
5	09380-22006	Circlip
6	26221-10200	Guide, Spring
7	09448-45009	Spring
8	09285-16002	Oil Seal
9	26232-36001	Guide, Kick Starter
10	02122-06168	Screw
11	26241-10300	Gear, Kick Starter Drive
12	09301-20003	Bushing
13	09300-17002	Bushing
14	04221-07129	Pin
15	26300-39100	Lever Assy, Kick Starter
16	26352-01000	• Rubber
17	01107-08258	Bolt

N° Réf.	N° Pièce	Désignation
---------	----------	-------------

1	26421-46100	Gear, Tachometer Drive No.2
2	26422-22701	Shaft
3	08211-10201	Thrust Washer
4	08331-31109	Circlip
5	26423-46100	Gear, Tachometer Drive No.3
6	26424-46100	Retainer
7	26431-10300	Gear, Tachometer Driver
8	26441-48000	Sleeve
9	09160-08003	Thrust Washer
10	09280-10001	O Ring
11	09135-06002	Bolt

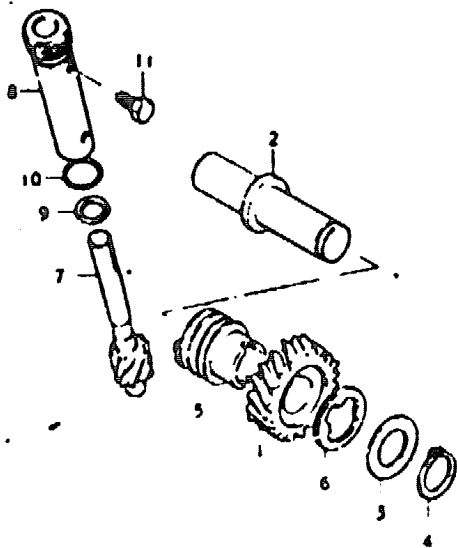
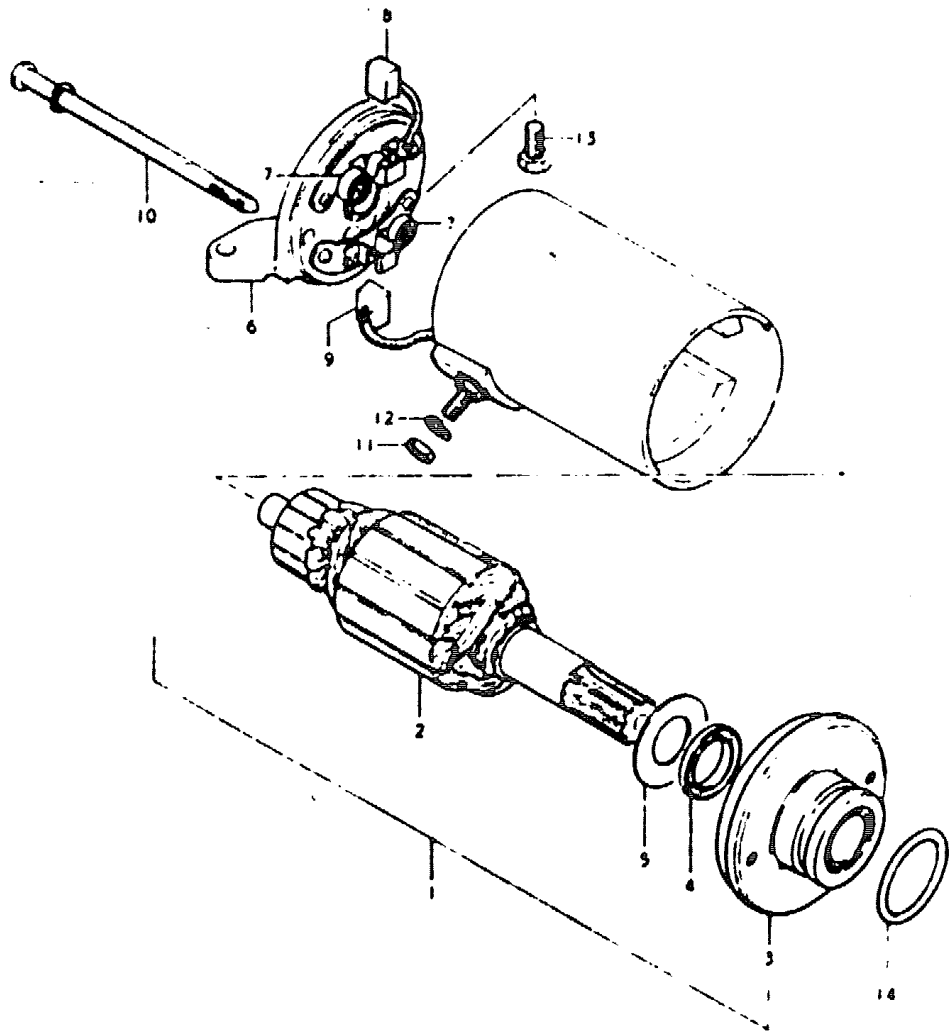
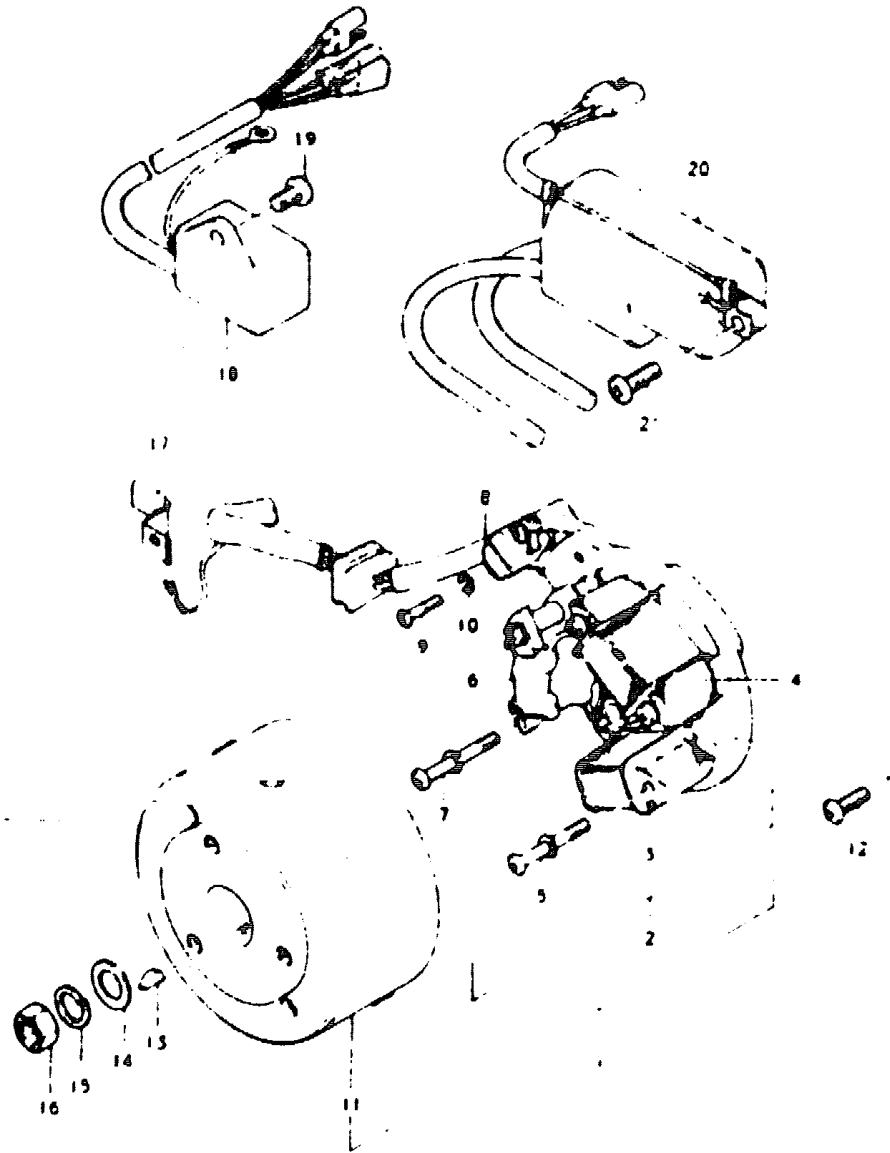


FIG.15 STARTING MOTOR



N° Réf.	N° Pièce	Désignation
1	31100-10200	Motor Assy, Starting
2	31511-10200	. . Armature
3	31151-10100	. . Housing, Drive
4	31153-45010	.. .. Oil Seal
5	31361-10200	. . Shim
6	31170-10200	. . Housing, Commutator End
7	31135-65010	.. .. Spring, Brush
8	31131-10200	.. .. Brush (-)
9	31130-10200	. . Brush (+)
10	31281-10200	. . Screw
11	08310-32008	. . Nut
12	08321-21068	. . Lock Washer
13	09128-00011	Bolt
14	09280-24001	O Ring

FIG. 16 MAGNETO



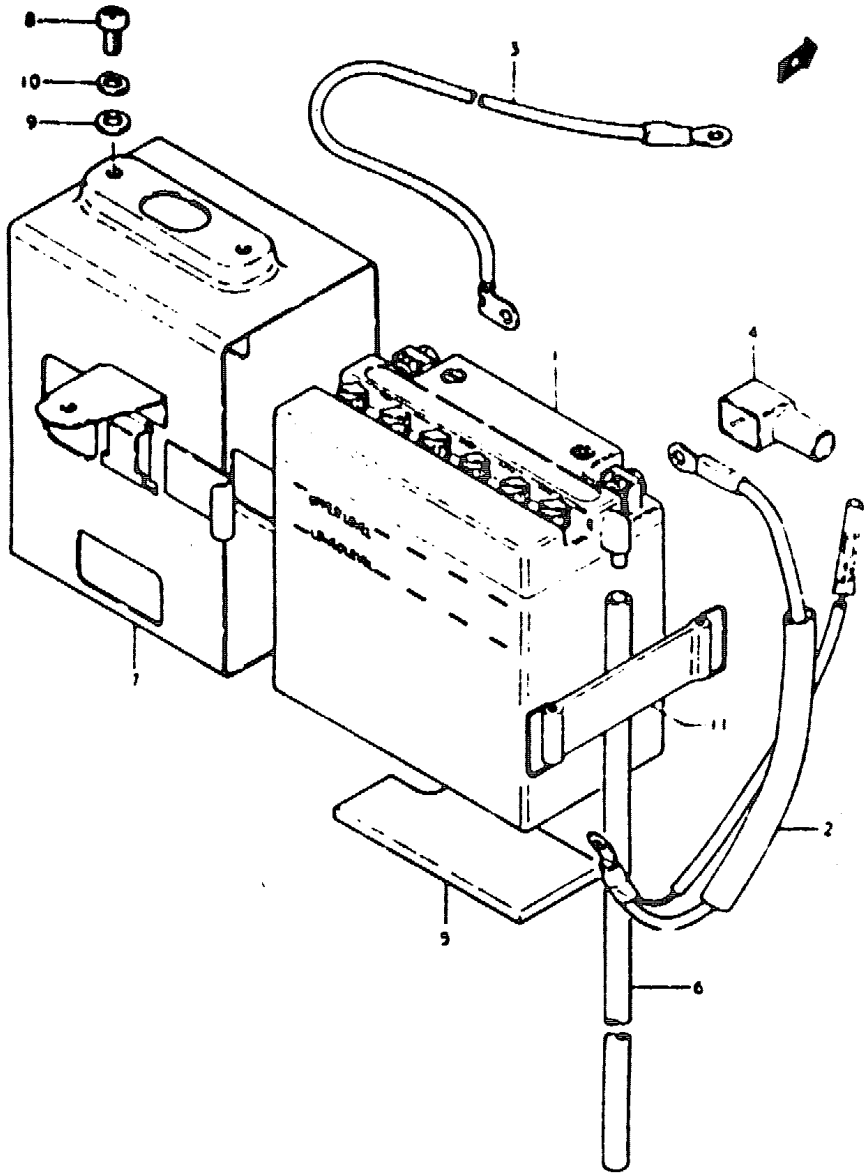
N° Réf.	N° Pièce	Désignation
1	32100-10200	Magneto Assy
2	32101-10200	• . Stator Assy
3	32131-10200	•• .. Coil, Lighting A
4	32132-10200	•• .. Coil, Lighting B
5	32501-10200	•• .. Screw
6	32140-10200	•• .. Coil, Prinar,
7	32351-10210	•• .. Screw
8	32151-10200	•• .. Coil, Pulsed
9	02112-04208	•• .. Screw
10	08321-21048	•• .. Lock Washer
11	32102-10200	• . Rotch
12	02112-06168	Screw
13	08341-31039	Key
14	08322-11128	Washer
15	08321-21128	Lock Washer
16	08310-12128	Nut
17	32371-10200	Clamp
18	32900-10200	C.d.i. Unit Assy
19	02112-06128	Screw
20	35410-10200	Coil Assy, Ignition
21	02112-06208	Screw

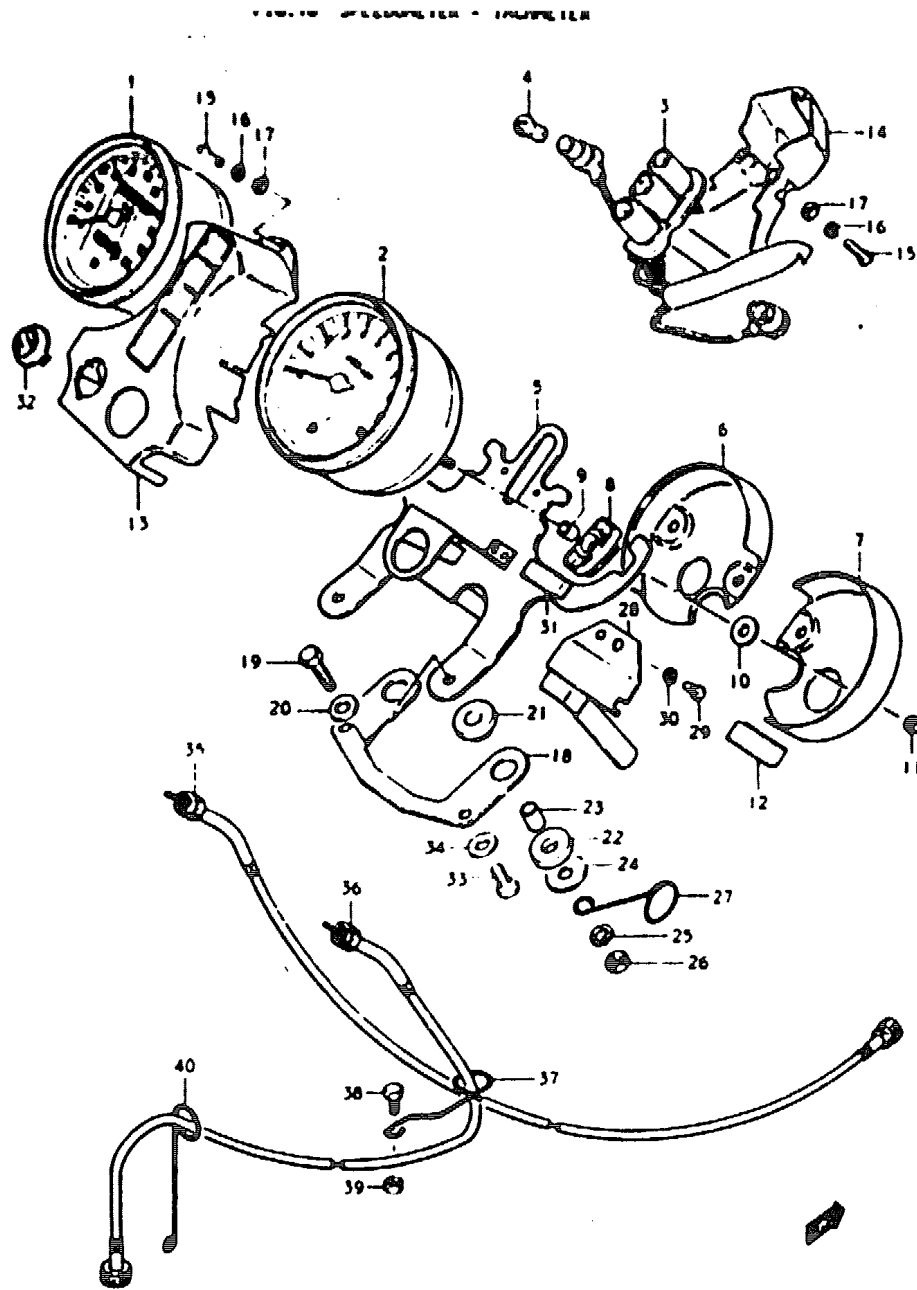


FIG.17 BATTERY

N° Réf. N° Pièce Désignation

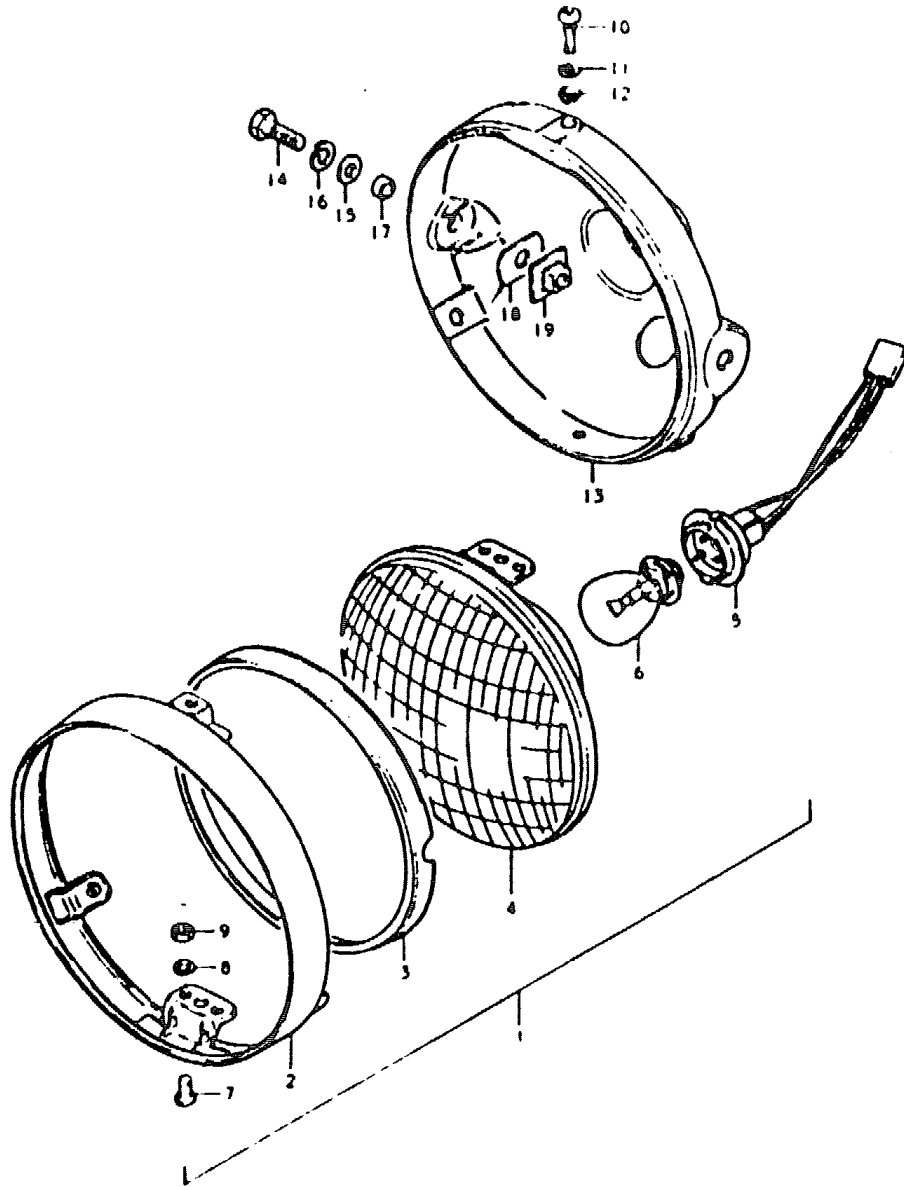
1	33610-10310	Battery
2	33820-44000	Lead Wire, (+)
3	33850-10200	Lead Wire, (-)
4	35624-45000	Cap, Terminal (+)
5	33652-32200	Cushion
6	33680-36200	Hose, Exhaust
7	41540-10200	Holder, Battery
8	02112-06128	Screw
9	08322-21068	Washer
10	08321-21068	Lock Washer
11	09462-00008	Band





N° Réf.	N° Pièce	Désignation
11	34100-11302	Speedometer & Tachometer Assy
11	34100-11332	Speedometer & Tachometer Assy
1	34110-11301	. Speedometer Assy
1	34110-11331	. Speedometer Assy
2	34210-11300	. Tachometer Assy
3	34173-11300	. Socket
4	09471-12001	. Bulb
5	34951-11300	. Bracket
6	34961-36322	. Under Plate, Speedometer
7	34962-36322	. Under Plate, Tachometer
8	34955-44020	. Cushion
9	34972-44022	. Spacer
10	09160-05017	. Washer
11	08313-11057	. Nut
12	34189-44020	. Pad
13	36380-11300	. Case, Pilot Bulb
14	34981-44020	. Cover, Under
15	09125-04011	. Screw
16	34997-44020	. Lock Washer
17	09160-04006	. Washer
18	34952-11300	. Bracket
19	01107-06308	. Bolt
20	08322-21068	. Washer
21	34955-11300	. Cushion
22	34956-11300	. Cushion
23	34978-11300	. Spacer
24	09160-06004	. Washer
25	08321-21068	. Lock Washer
26	08310-11068	. Nut
27	34949-30001	. Guide, Throttle Cable
28	34954-44021	. Clamp
29	02112-04088	. Screw
30	08321-21048	. Lock Washer
31	34289-11300	. Pad
32	34995-31600	Cap
33	01107-06168	Bolt
34	08322-21068	Washer
35	34910-10210	Cable Assy, Speedometer
36	34940-10300	Cable Assy, Tachometer
37	34948-10300	Guide, Tachometer Cable
38	01107-06108	Bolt
39	08310-11068	Nut
40	34949-10300	Guide, Tachometer Cable

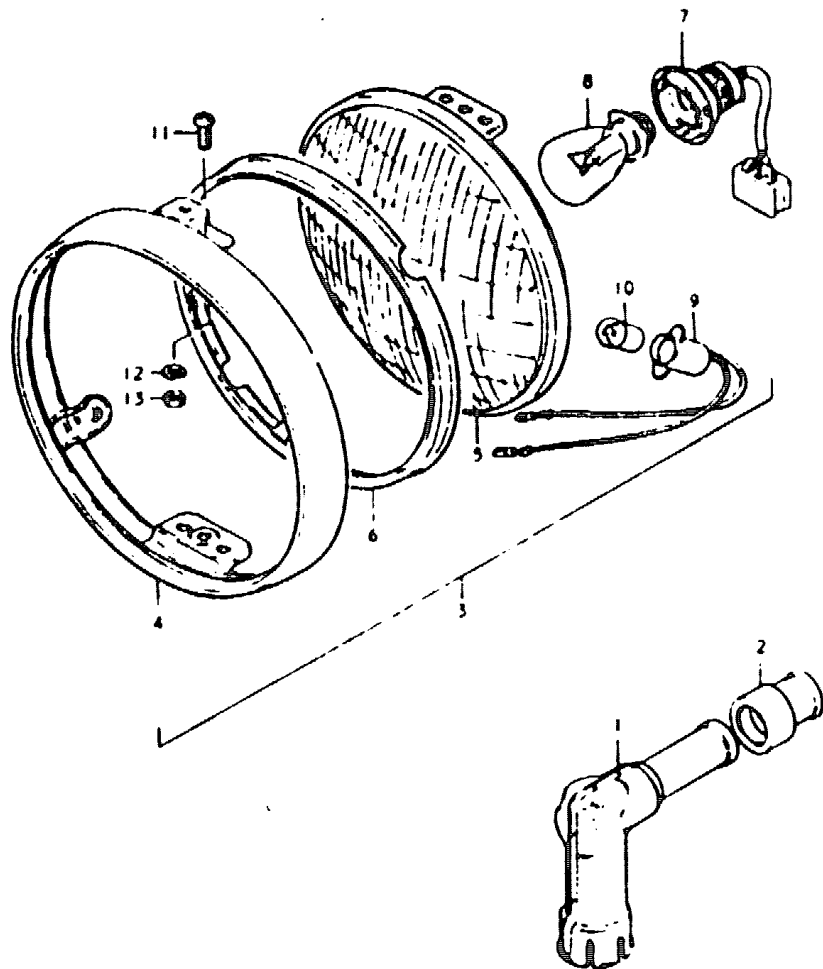
FIG.19 HEADLAMP



N° Réf.	N° Pièce	Désignation
1	35100-11300	Headlamp Assy
2	35111-44030	. . Rim
3	35127-33032	. . Ring
4	35121-11300	. . Unit
5	35171-36130	. . Socket
6	09471-12033	. . Bulb
7	02112-05108	. . Screw
8	08321-21058	. . Lock Washer
9	08310-22058	. . Nut
10	09125-05022	Screw
11	09162-05003	Lock Washer
12	09169-06021	Washer
13	51811-44000-291	Housing, Headlamp
14	01204-08257	Bolt
15	08322-11088	Washer
16	08321-21088	Lock Washer
17	09180-08030	Spacer
18	09329-12002	Cushion
19	51860-45000	Plate

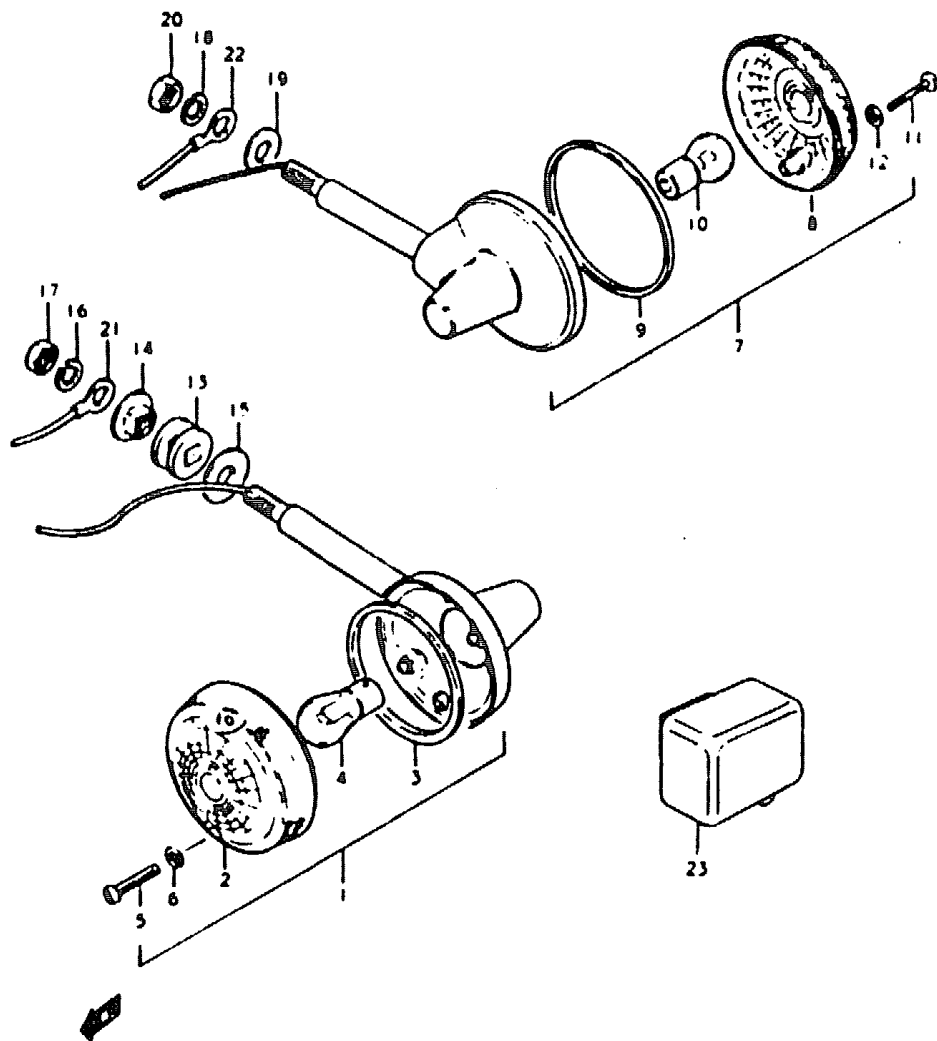
SEE 'E2' FRAME C 6

FIG.43 FOR SPECIAL MARKET (E2)



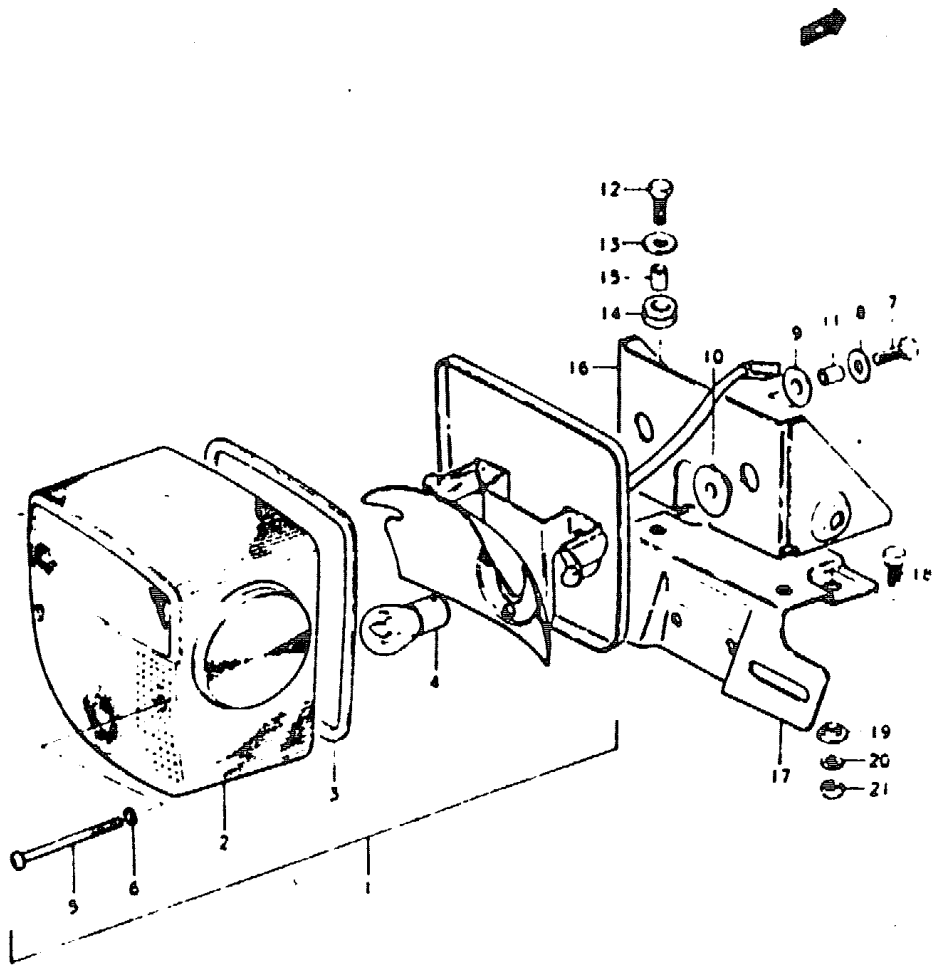
N° Réf.	N° Pièce	Désignation
1	33510-39110	Cap, Spark Plug
2	33542-98000	Seal, High Tension Cord
3	35100-44651	Headlamp Assy
4	35111-44030	. . Rim
5	35121-15617	. . Unit
6	35127-33032	. . Ring
7	35171-15616	. . Socket
8	09471-12033	. . Bulb
9	36118-28660	. . Socket
10	09471-12001	. . Bulb
11	02112-05108	. . Screw
12	08321-21058	. . Lock Washer
13	08310-22058	. . Nut

FIG.20 TURN SIGNAL LAMP



N° Réf.	N° Pièce	Désignation
1	35601-47011	Lamp Assy, Front Turn Signal
2	35612-28620	. Lens
3	35613-28620	. Gasket
4	09471-12006	. Bulb
5	35623-47610	. Screw
6	35627-43010	. Gasket
7	35601-56331	Lamp Assy, Rear Turn Signal
8	35612-28620	. Lens
9	35613-28620	. Gasket
10	09471-12006	. Bulb
11	35623-47610	. Screw
12	35627-43010	. Gasket
13	35690-32200	Cushion
14	35695-32200	Spacer
15	35629-44000	Washer
16	08321-21108	Lock Washer
17	08310-12108	Nut
18	08321-21108	Lock Washer
19	08322-11108	Washer
20	08310-22108	Nut
22	36852-10300	Lead Wire, Earth
23	38610-45031	Relay Assy, Turn Signal

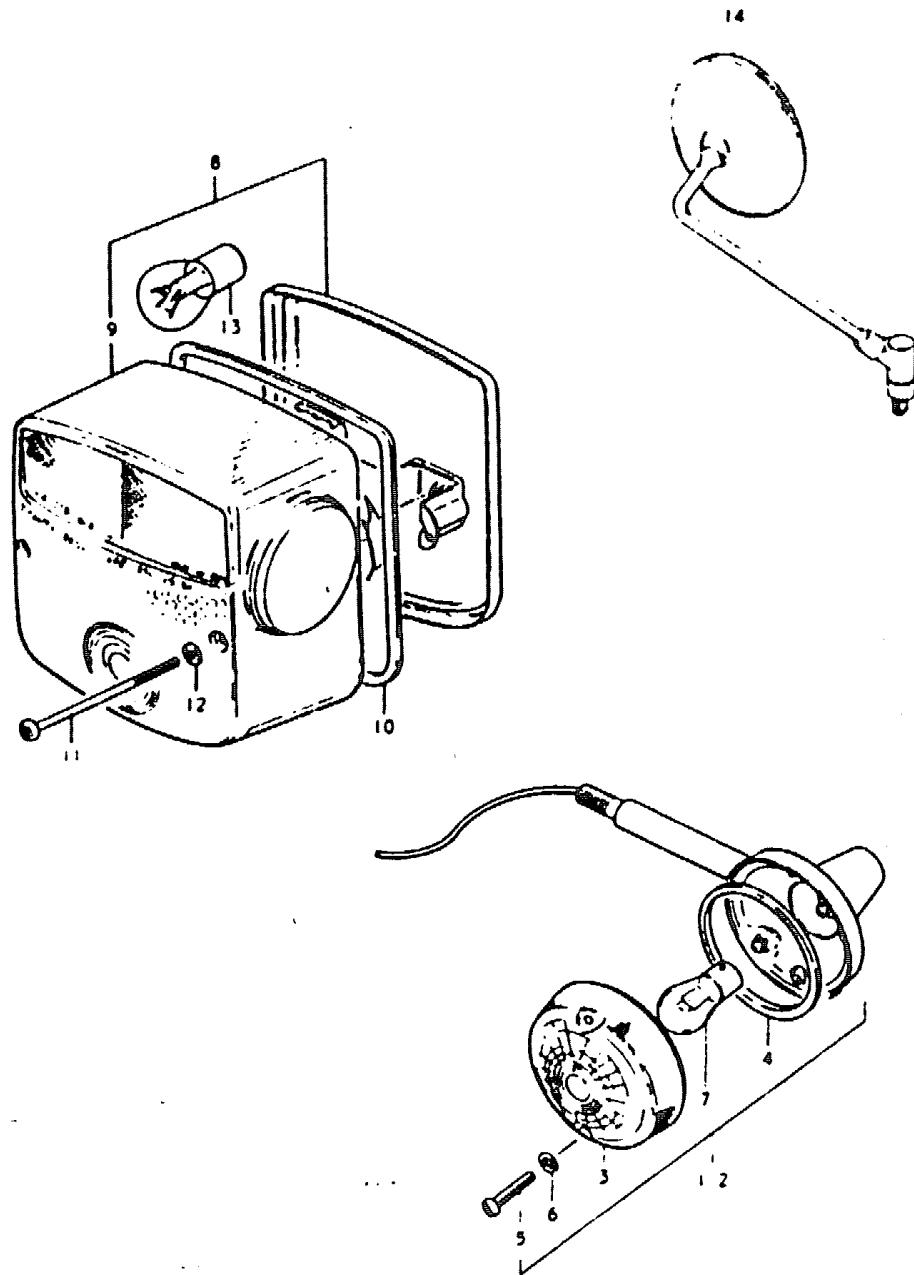
FIG.21 REAR COMBINATION LAMP



N° Réf.	N° Pièce	Désignation
1	35710-11300	Lamp Assy, Rear Combination
2	35712-30512	. Lens
3	35713-30510	. Gasket
4	09471-12035	. Bulb
5	09125-04002	. Screw
6	35627-43010	. Gasket
7	01107-06208	Bolt
8	09160-06027	Washer
9	09320-14010	Cushion, Front
10	09320-09012	Cushion, Rear
11	09180-06006	Spacer
12	01107-06168	Bolt
13	09160-06027	Washer
14	09320-09009	Cushion
15	09180-06011	Spacer
16	35726-10300	Bracket, Combination Lamp
17	35927-10301	Plate, License
18	01107-06128	Bolt
19	09180-06048	Spacer
20	08321-21068	Lock Washer
21	08310-11068	Nut

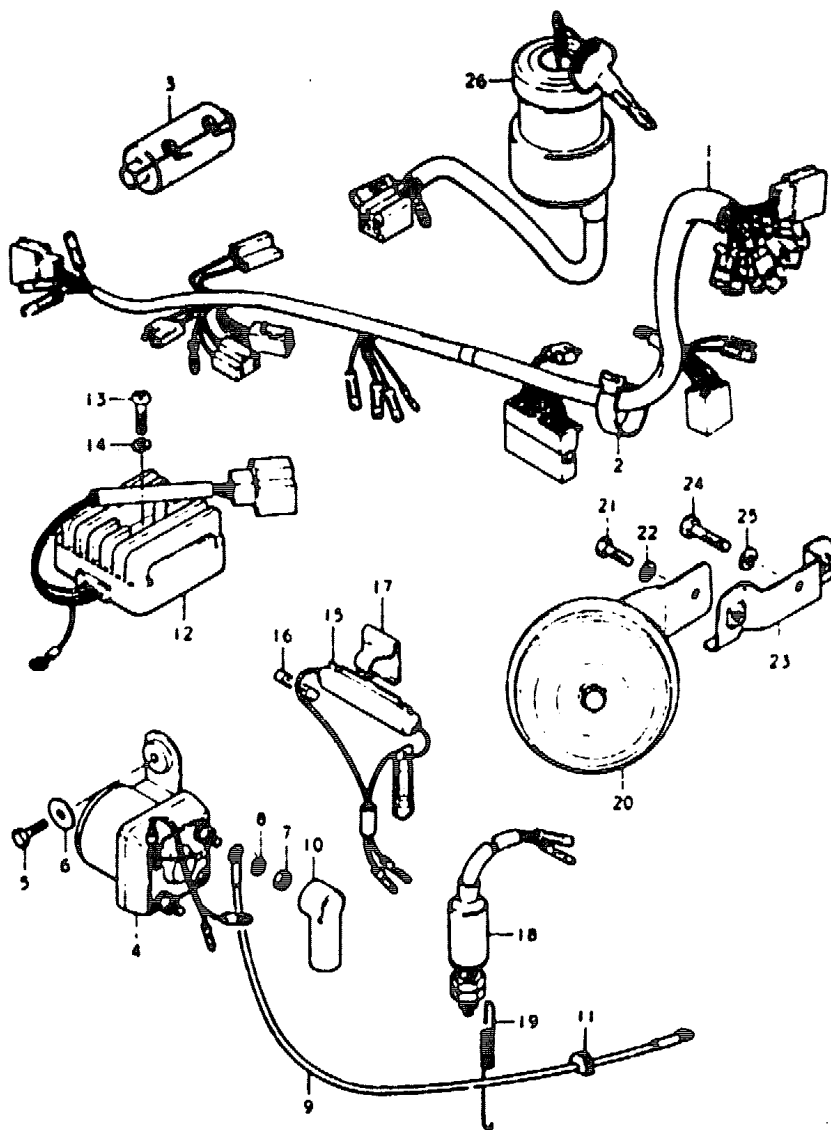
SEE 'E2' FRAME C9

FIG.44 FOR SPECIAL MARKET (E2)



N° Réf.	N° Pièce	Désignation
1	35601-44021	Lamp Assy, Front Turn Signal
2	35601-36371	Lamp Assy, Rear Turn Signal
3	35612-28620	. Lens
4	35613-28620	. Gasket
5	35623-47610	. Screw
6	35627-43010	. Gasket
7	09471-12056	. Bulb
8	35710-11321	Lamp Assy, Rear Combination
9	35712-48622	. Lens
10	35713-30510	. Gasket
11	09125-04002	. Screw
12	35627-43010	. Gasket
13	09471-12057	. Bulb
14	56500-45640	Mirror Assy, Rear View Rh

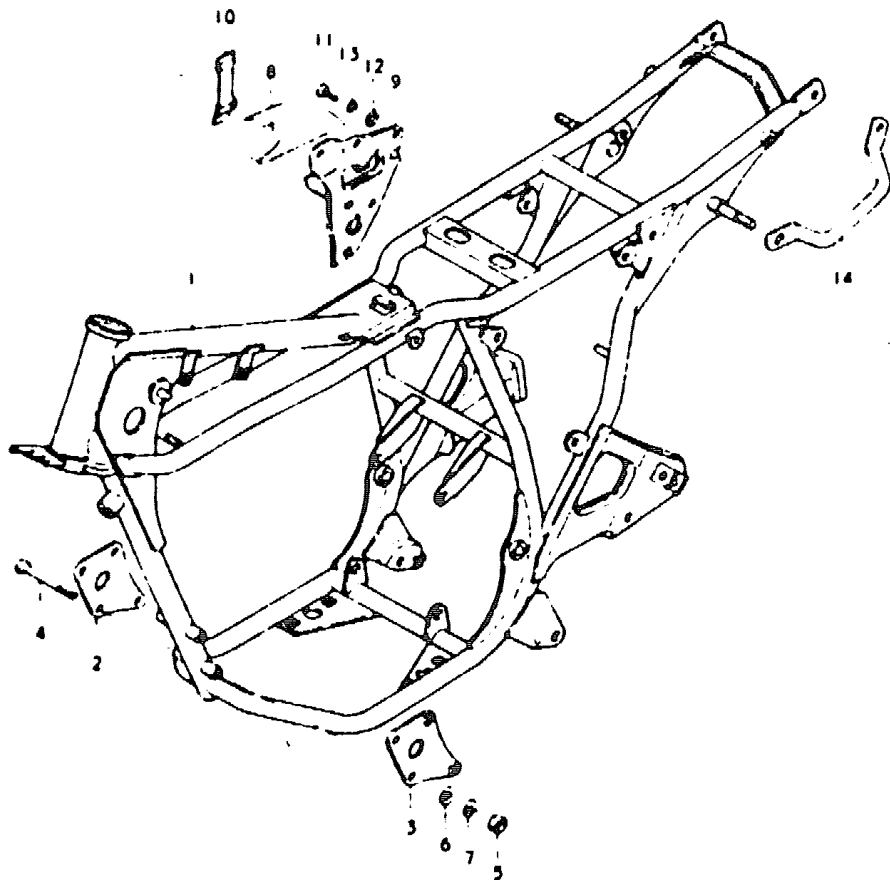
FIG.22 ELECTRICAL



N° Réf.	N° Pièce	Désignation
1	36610-10300	Wiring Harness
2	09407-18301	Clamp
2	09407-11302	Clamp
2	09407-25301	Clamp
3	36618-30610	Boot
4	31800-10200	Relay, Starting Motor
5	01107-06168	Bolt
6	09160-06007	Washer
7	08310-22068	Nut
8	08321-21068	Lock Washer
9	33850-10300	Lead Wire, Starting Motor
10	31861-35100	Cap, Terminal
11	33885-10200	Gromet
12	32800-10200	Rectifire Assy, Regulator
13	02112-06208	Screw
14	08321-21068	Lock Washer
15	36740-15010	Fuse Case Assy
16	09481-15001	• . Fuse
17	36791-46700	Holder, Fuse Case
18	37740-04570	Switch Assy, Stop Lamp
19	09443-06016	Spring
20	38501-10280	Horn
21	01107-06128	Bolt
22	08322-21068	Washer
23	38590-10200	Bracket
24	01107-08208	Bolt
25	08322-11088	Washer
26	37110-28655	Switch Assy, Ignition

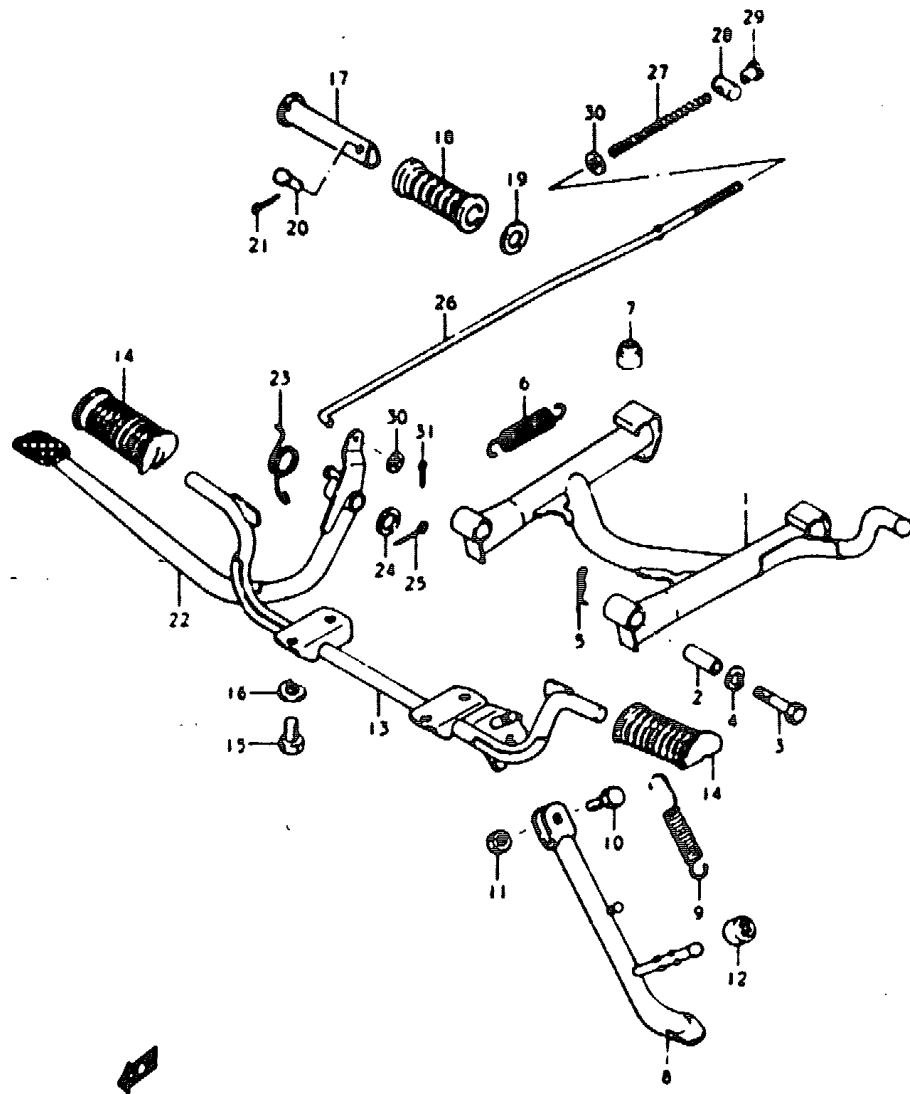


FIG.23 FRAME



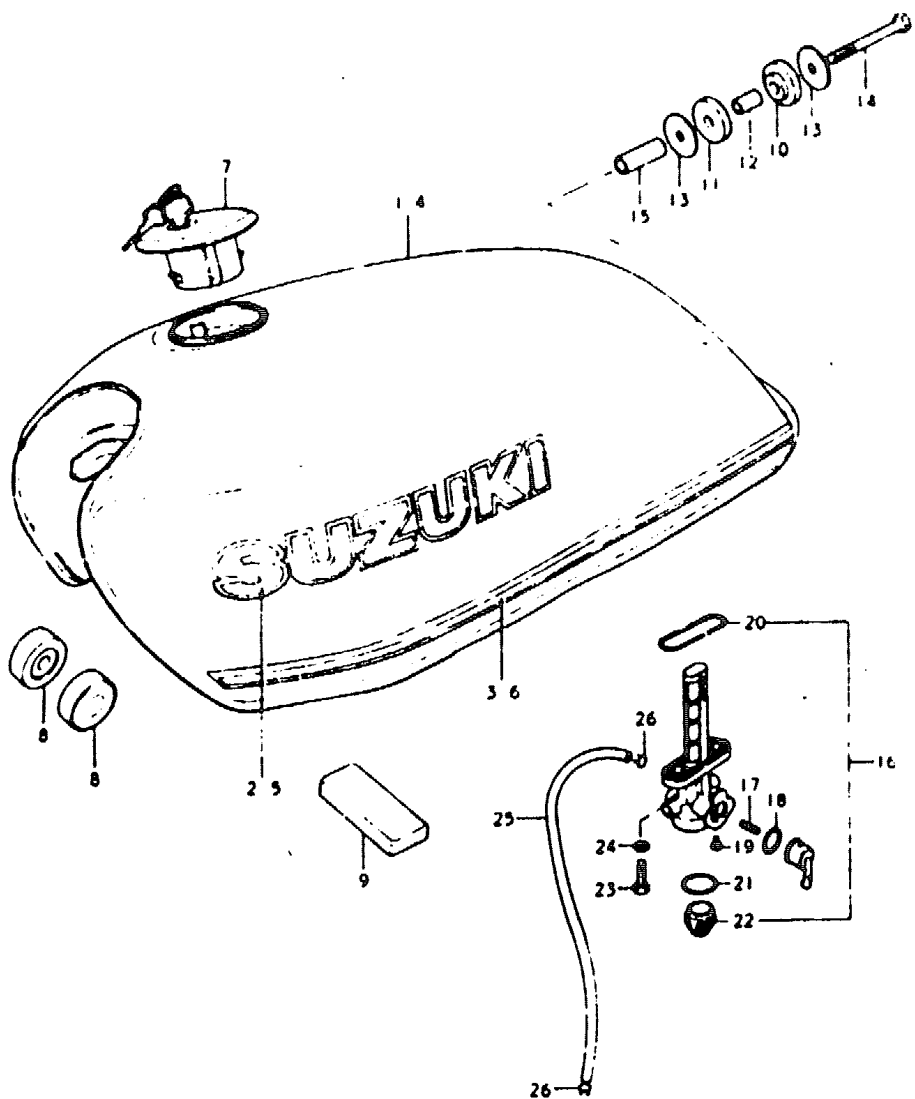
N° Réf.	N° Pièce	Désignation
1	41100-10300-019	Frame
2	41911-10200	Plate, Engine Mounting Rh
3	41920-10200	Plate, Engine Mounting Lh
4	01107-08758	Bolt
5	08510-12088	Nut
6	08322-11088	Washer
7	08321-21088	Lock Washer
8	09800-00108	Tool Set
9	41550-10200	Holder, Tool
10	09462-00072	Band
11	01107-06128	Bolt
12	09160-06019	Washer
13	08321-21068	Lock Washer
14	41611-10300	Grip, Frame Handle

FIG.24 STAND - FOOTREST



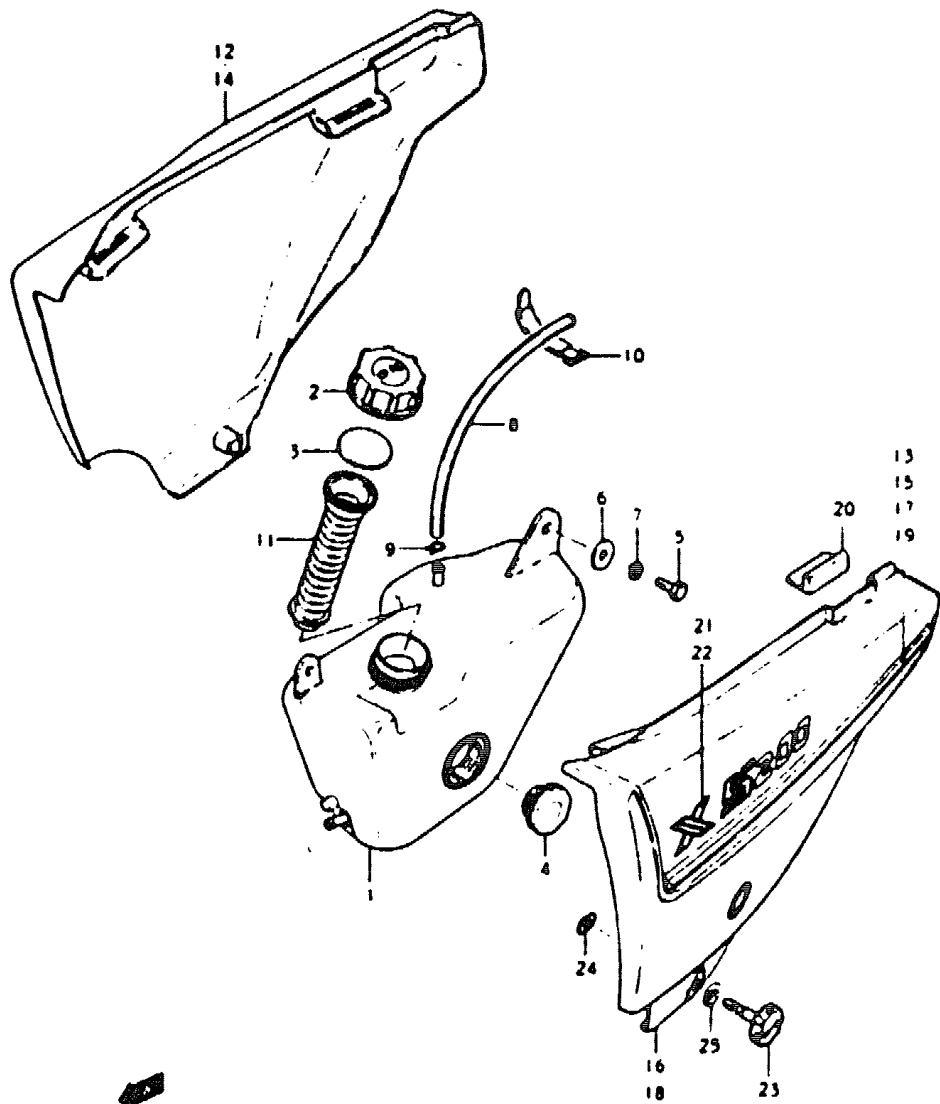
N° Réf.	N° Pièce	Désignation
1	42100-10200	Stand, Center
2	09180-10001	Spacer
3	09101-10020	Bolt
4	08321-21108	Lock Washer
5	09385-10001	Clip
6	09443-18005	Spring
7	09321-10001	Cushion
8	42310-10300	Stand, Prop
9	09443-18003	Spring
10	09100-10007	Bolt
11	08310-22108	Nut
12	09320-07001	Cushion
13	43510-10200	Bar, Front Footrest
14	43551-39100	Rubber
15	01107-08168	Bolt
16	08321-21088	Lock Washer
17	43610-03001	Bar, Pillion Footrest
18	43612-03001	Rubber
19	09160-19006	Washer
20	09200-06010	Pin
21	04111-20208	Cotter Pin
22	43110-10200	Pedal, Brake
23	09448-31011	Spring
24	09160-15002	Washer
25	04111-30308	Cotter Pin
26	43310-10300	Lod Assy, Rear Brake
27	09440-09004	. . Spring
28	09209-13003	. . Pin
29	09150-06001	. . Nut
30	08322-21058	. . Washer
31	04111-20208	. . Cotter Fin

FIG.25 FUEL TANK



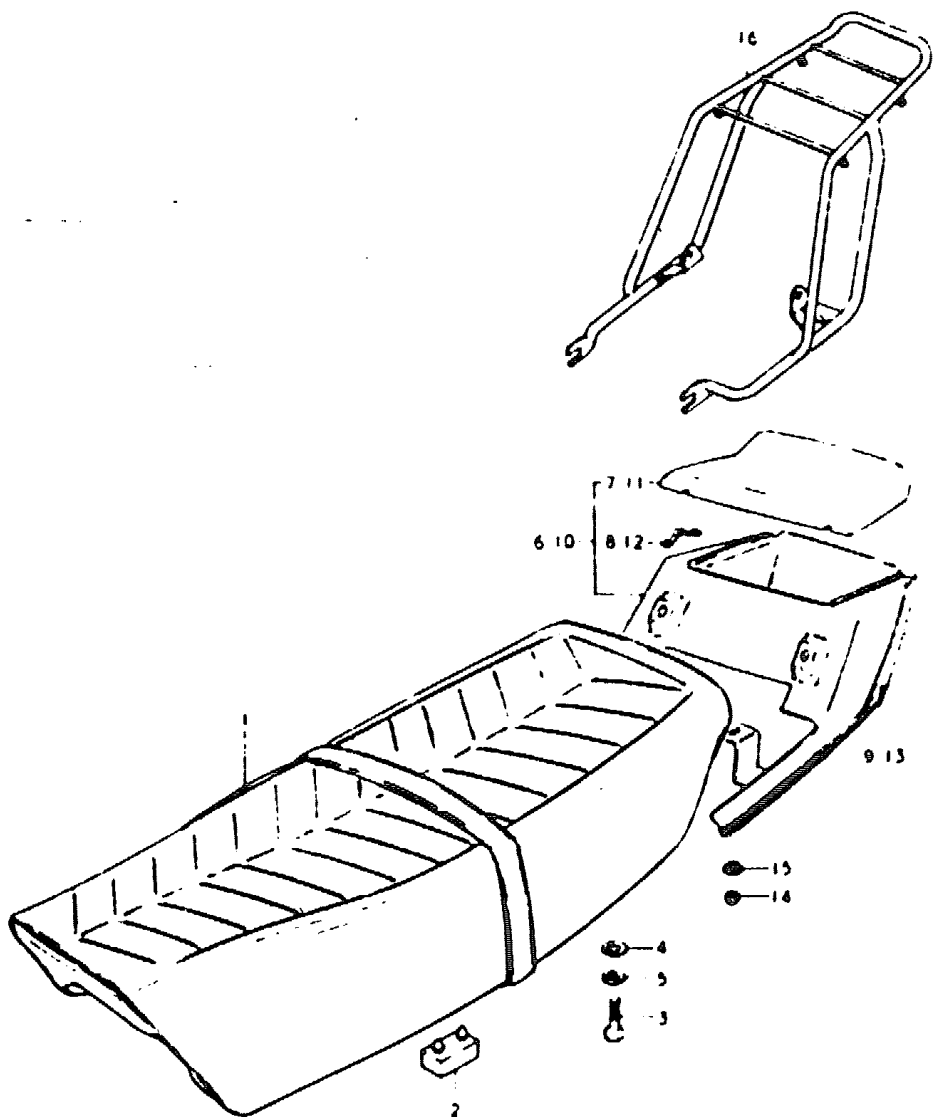
N° Réf.	N° Pièce	Désignation
1	44100-10300-03K	Tank, Fuel
2	68111-32401-019	• . Emblem
3	68100-10830-60K	• . Tape Set
4	44100-10300-05K	Tank, Fuel
5	68111-32401-064	• . Emblem
6	68100-10830-53B	• . Tape Set
7	44200-30702	Cap Assy, Fuel Tank Filler
8	09329-10007	Cushion, Front
9	44541-10200	Cushion, Center
10	09320-12010	Cushion, Rear No.1
11	09320-12023	Cushion, Rear No.2
12	09180-08067	Spacer
13	09160-08002	Washer
14	01107-08708	Bolt
15	09180-10042	Spacer
16	44300-11370	Cock Assy, Fuel
17	44357-32470	• . Spring
18	44353-32470	• . O Ring
19	44343-41370	• . Screw
20	44348-28070	• . O Ring
21	44346-28070	• . Gasket
22	44347-28071	• . Cup
23	09128-06002	Bolt
24	09168-06010	Gasket
25	09343-05031	Hose, Fuel
26	09401-08402	Clip

FIG.26 OIL TANK - FRAM COVER



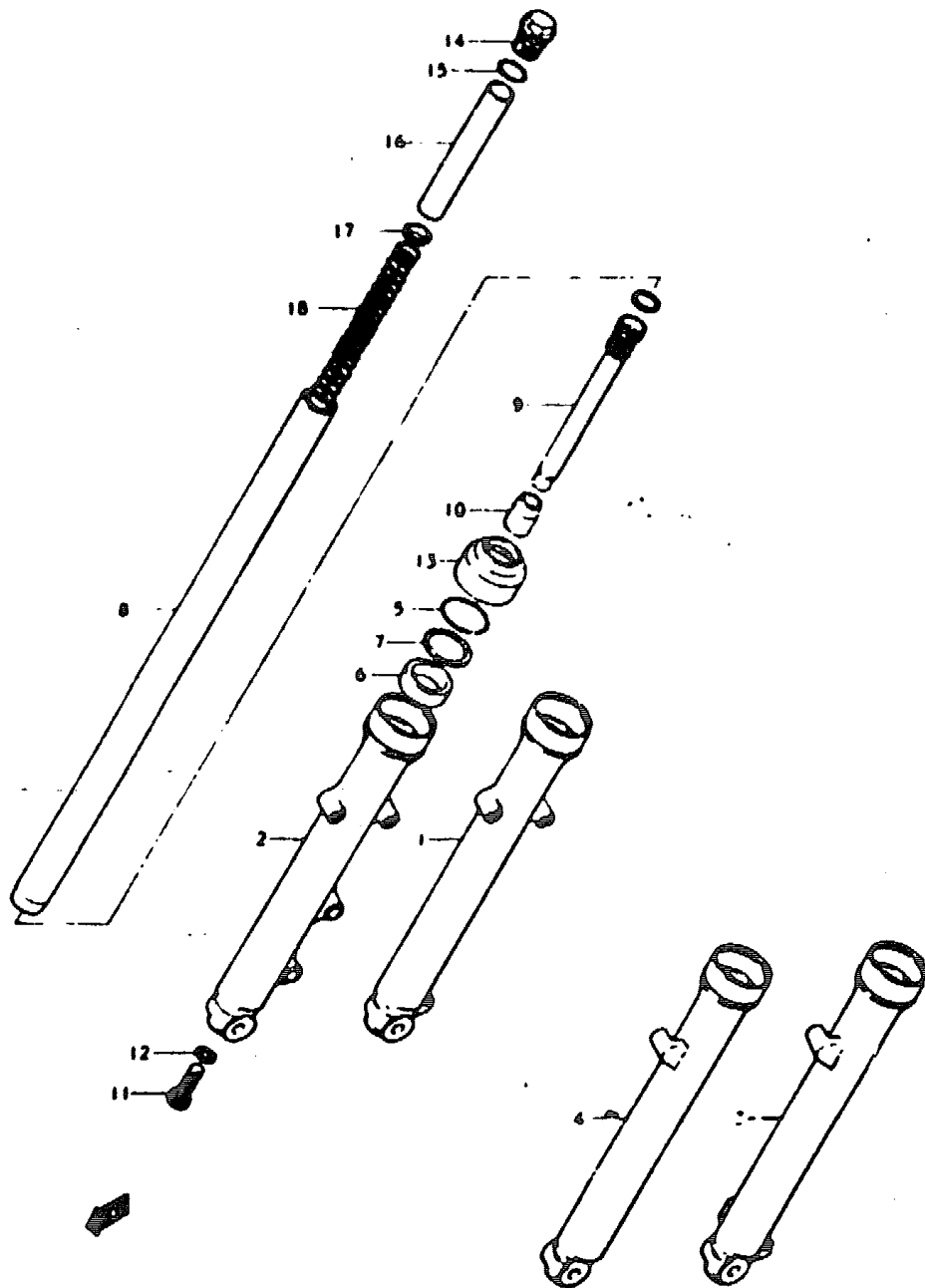
N° Réf.	N° Pièce	Désignation
1	44611-10200	Tank, Oil
2	44651-05003	Cap
3	44661-27000	Gasket
4	44600-31831	Oil Level Inspection Set
5	01107-06166	Bolt
6	09160-06007	Washer
7	08321-21068	Lock Washer
8	09344-05025	Hose, Breather
9	09401-08402	Clip
10	09407-11302	Clamp
11	44668-10200	Extention, Oil Tank Inlet
12	47111-10300-03K	Cover, Frame Rh
13	68136-10300-60K	Tape, Rh
14	47111-10300-05K	Cover, Frame Rh
15	68136-10300-538	Tape, Rh
16	47211-10300-03K	Cover, Frame Lh
17	68146-10300-60K	Tape, Lh
18	47211-10300-05K	Cover, Frame Lh
19	68146-10300-538	Tap, Lh
20	47117-45000	Cushion
21	68131-10300	Emblem, Rh
22	68141-10300	Emblem, Lh
23	47130-10200	Knob
24	09125-06001	Stopper
25	09161-06015	Cushion

FIG.27 SEAT



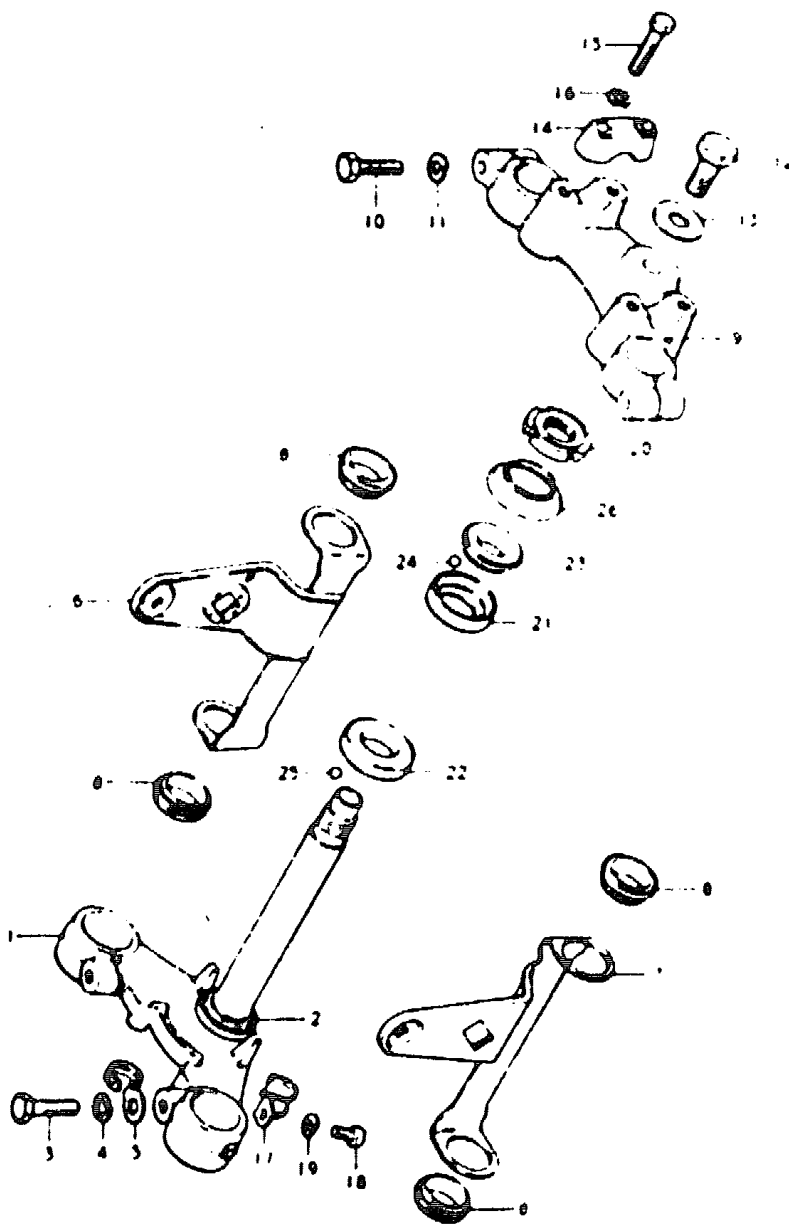
N° Réf.	N° Pièce	Désignation
1	45100-10300-865	Seat
2	09321-08006	Cushion
3	01107-08168	Bolt
4	09160-08010	Washer
5	08321-21088	Lock Washer
6	45510-10300-03K	Tail Cover, Seat
7	45525-10300-03K	• Lid, Tale Cover
8	45526-10300	• Spring
9	68100-10850-60K	Tape Set, Striping
10	45510-10300-05K	Tape Cover, Seat
11	45525-10300-05K	• Lid, Tape Cover
12	45526-10300	• Spring
13	68100-10850-53H	Tape Set, Striping
14	08319-21068	Nut
15	09169-06010	Washer
16	46310-10300	Carrier, Sports

FIG.28 FRONT FORK



N° Réf.	N° Pièce	Désignation
16	51103-10310	Damper Assy, Rh
16	51103-10300	Damper Assy, Rh
16	51104-10310	Damper Assy, Lh
16	51104-10300	Damper Assy, Lh
1	51130-10310	. . Outer Tube, Rh
2	51130-10300	. . Outer Tube, Rh
3	51140-10310	. . Outer Tube, Lh
4	51140-10300	. . Outer Tube, Lh
5	51156-36010	.. .. Ring
6	51153-29400	.. .. Oil Seal
7	51158-36010	.. .. Washer
8	51110-10300	. . Inner Tube
9	51146-10300	. . Cylinder
10	51195-36220	. . Lock Piece, Oil
11	51147-16510	. . Bolt
12	51148-41310	. . Gasket
13	51173-29310	. . Dust Seal
14	51351-25011	. . Cap, Inner Tube
15	51181-25010	. . O Ring
16	51176-36211	. . Spacer
17	51172-18630	. . Guide, Spring
18	51171-10300	. . Spring

FIG. 29



N° Réf.	N° Pièce	Désignation
1	51410-10300	Steering Stem
2	51621-33001	• Outer Race
3	51451-28012	Bolt
4	08321-21128	Lock Washer
5	51455-36010	Clip
6	51530-11300-291	Bracket, Headlamp Rh
7	51540-11300-291	Bracket, Headlamp Lh
8	51553-10300	Cushion
9	51311-29320-291	Steering Stem Head
10	51451-15113	Bolt
11	08321-21108	Lock Washer
12	51351-20010	Bolt, Steering Start
13	51350-22012	Washer
14	56211-29320-291	Holder, Handlebar
15	01204-08357	Bolt
16	08321-21088	Lockwasher
17	51543-05110	Nut, Steering Stem
18	02112-06108	Screw
19	08321-21066	Lock Washer
20	51631-28000	Nut, Steering Stem
21	51611-20002	Inner Race, Upper
22	51611-33002	Inner Race, Lower
23	51621-28000	Outer Race, Upper
24	06111-06003	Steel Ball
25	06111-08003	Steel Ball
26	51043-25001	Dust Seal

N° Réf.	N° Pièce	Désignation
---------	----------	-------------

1	54110-10200	Hub, Wheel
2	54210-10200	Panel
3	54410-32400	Shoe, Brake
4	55420-41100	Spring
5	54440-32401	Cam, Brake
6	09280-15001	O Ring
7	09160-15001	Washer
8	64451-30000	Lever, Brake Cam
9	01107-06408	Bolt
10	08322-21068	Washer
11	08310-11068	Nut
12	54611-36000	Gear, Speedometer
13	54621-10200	Pinion, Speedometer
14	54632-11020	Bush
15	09160-05001	Thrust Washer
16	54660-11031	Driver
17	09160-22001	Thrust Washer
18	08331-11229	Circlip
19	09285-26003	Oil Seal
20	09289-06001	Oil Seal
21	54711-11301	Axle, Front
22	09180-12041	Spacer
23	54740-10200	Spacer, Rh
24	08322-11128	Washer
25	08314-31128	Nut
26	04111-30308	Cotter Pin
27	08143-62017	Bearing, Lh
28	08123-62017	Bearing, Rh
29	55100-10310	Tire, Front
30	55200-11601	Tube, Inner
31	55261-11010	Protector, Inner Tube
32	55311-10300	Rim, Wheel
33	55300-10830	Spoke Set
34	55411-11000	Balancer, Wheel No.1
35	55412-11000	Balancer, Wheel No.2

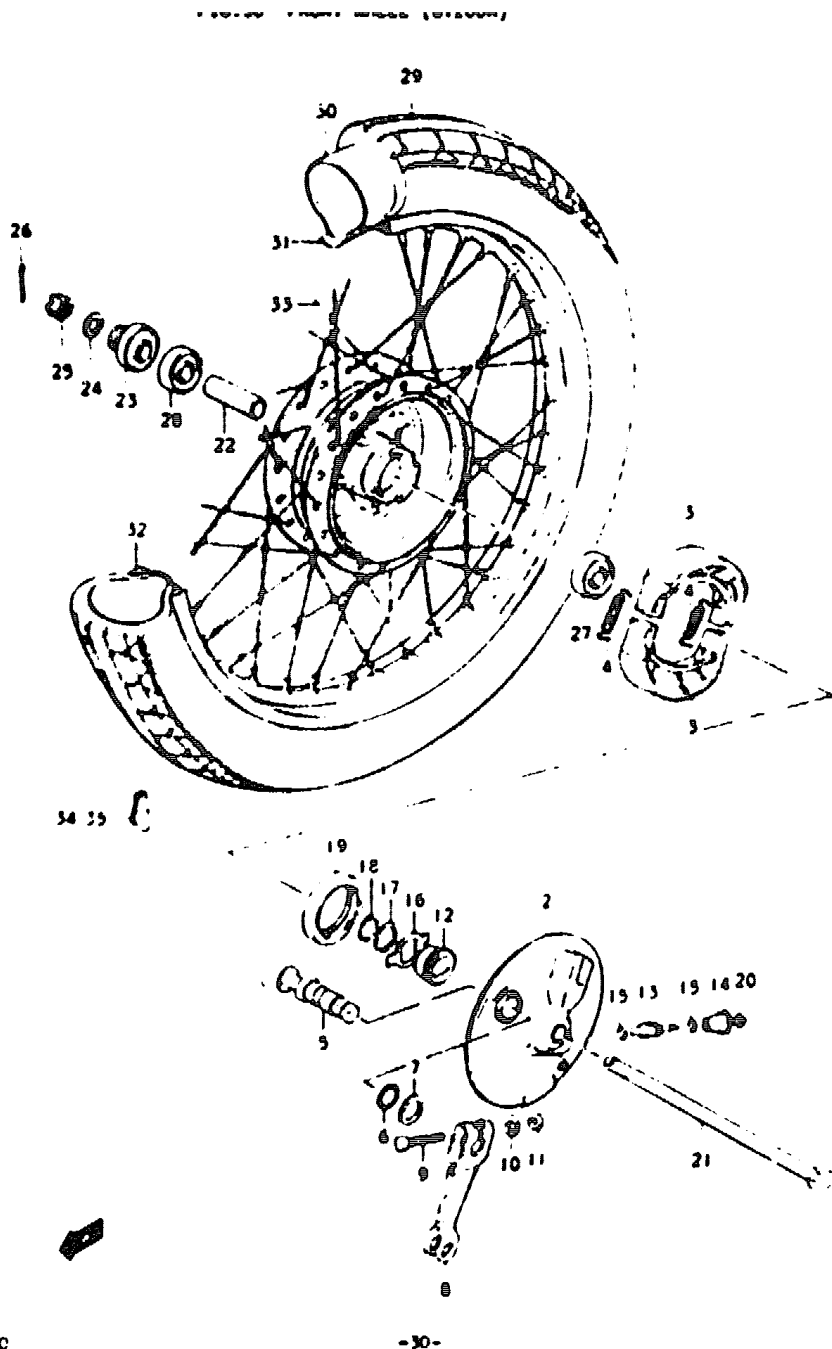
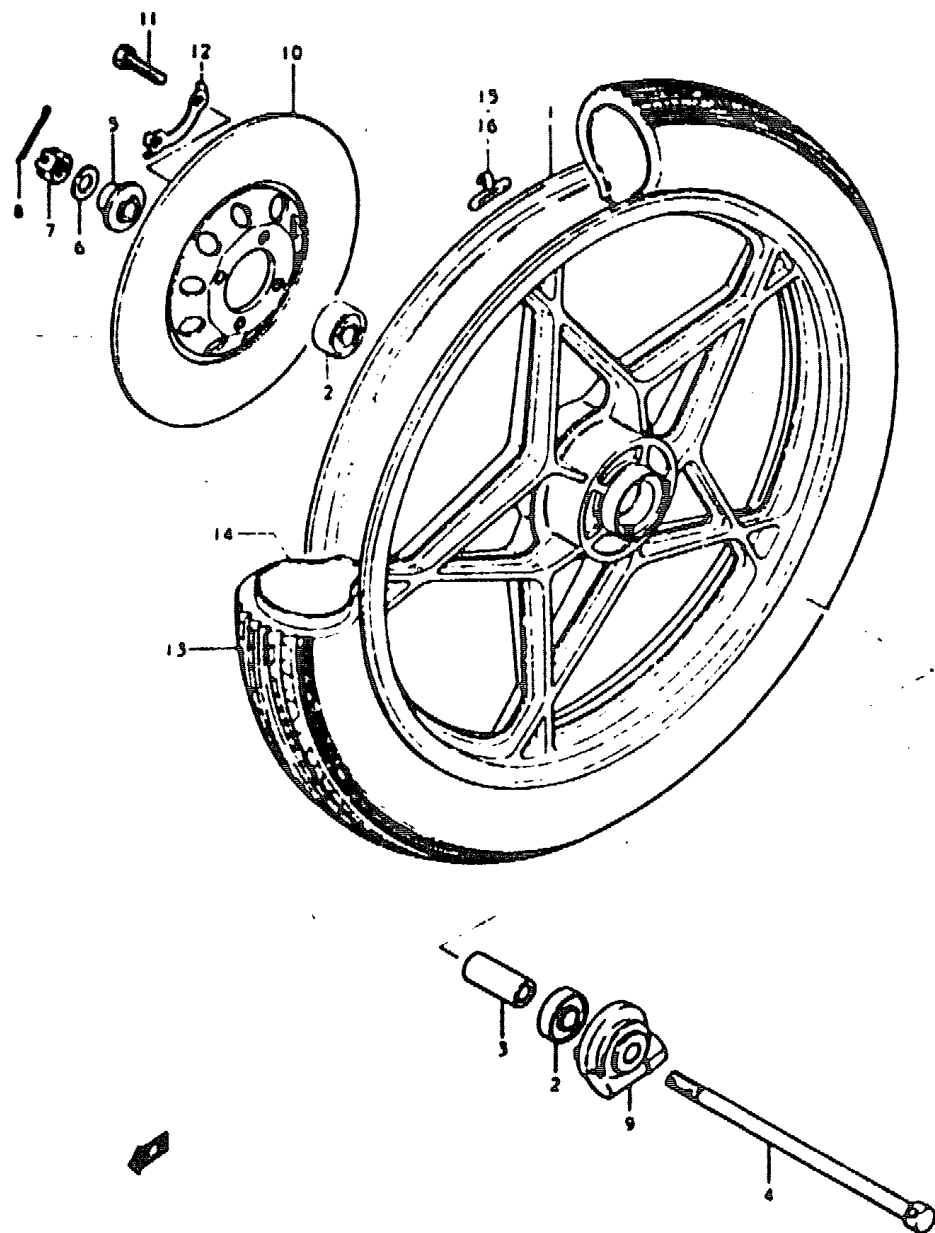


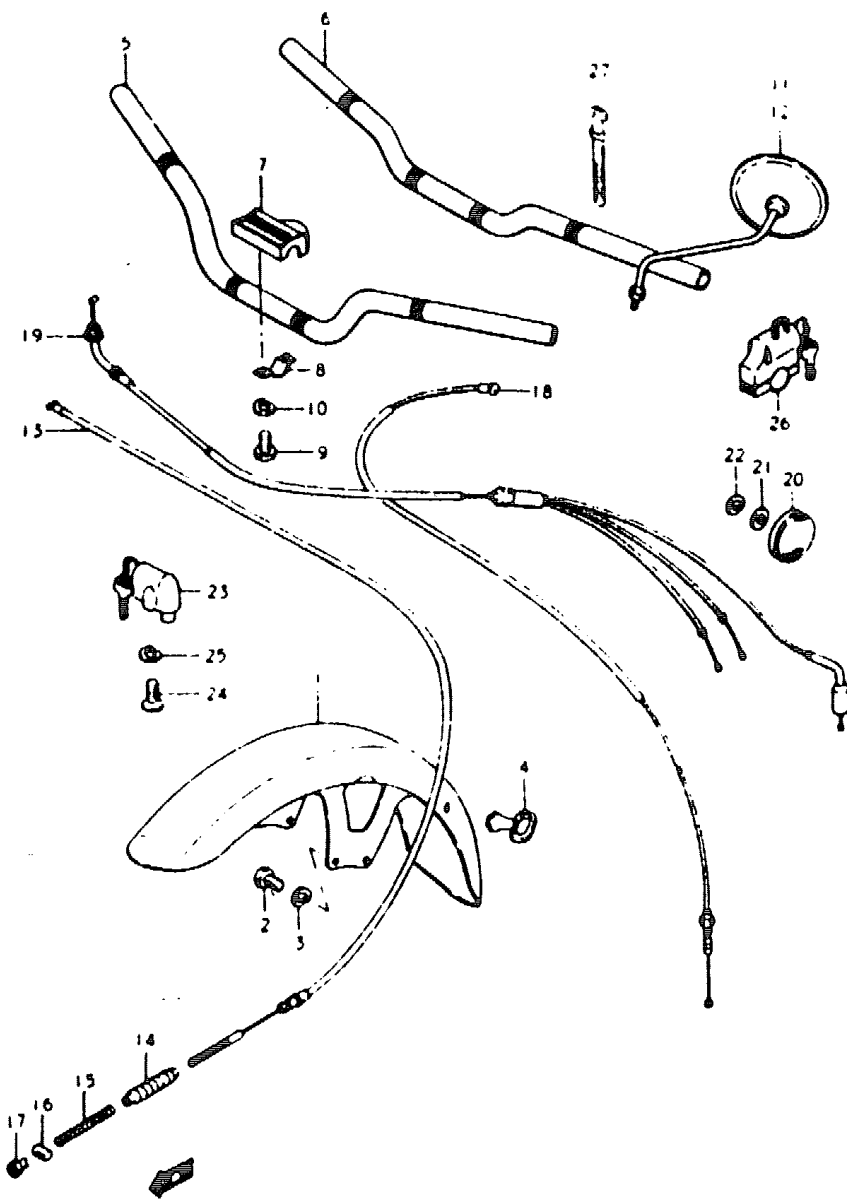


FIG.31 FRONT WHEEL (GT200EN)



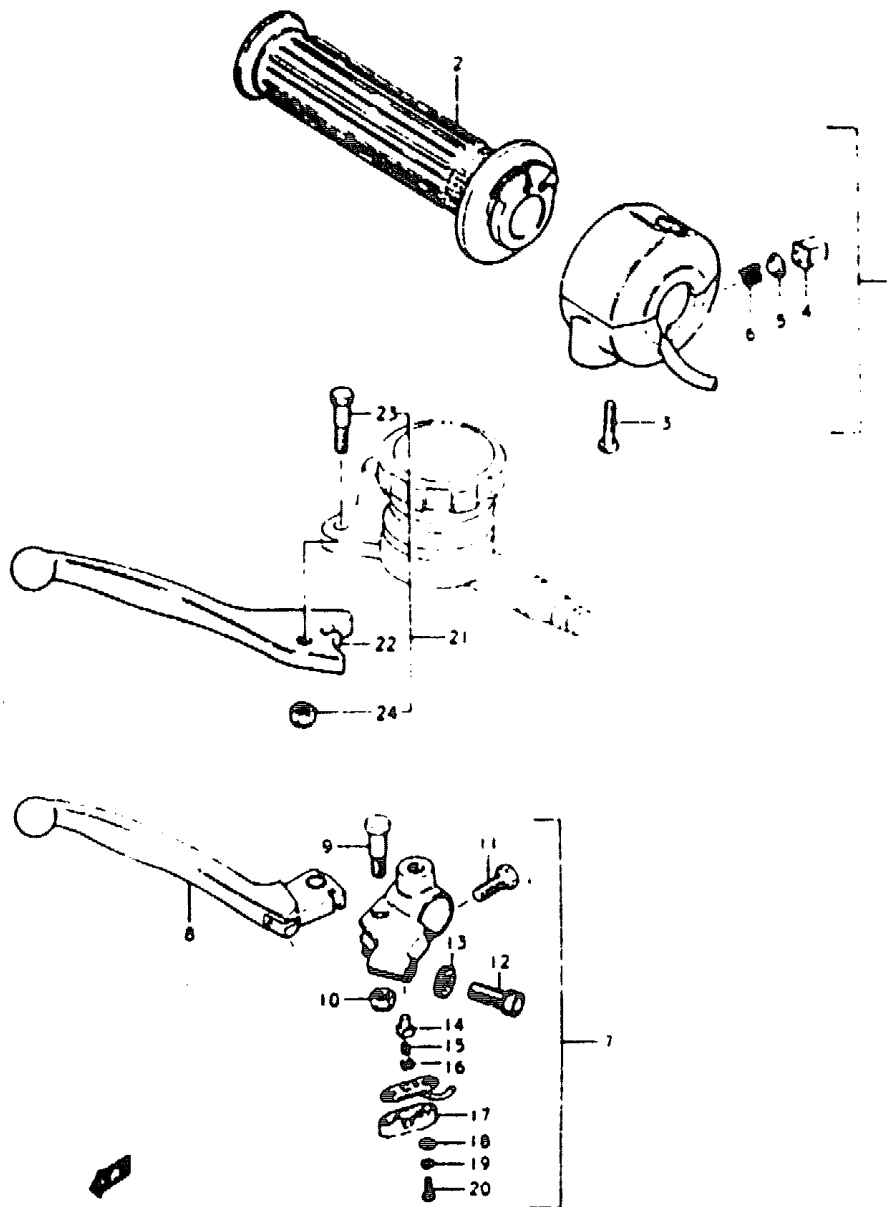
N° Réf.	N° Pièce	Désignation
1	54111-11301	Wheel, Front
2	08123-63017	Bearing
3	09180-12041	Spacer
4	54711-11301	Axle, Front
5	54740-11300	Spacer, Rh
6	08322-11128	Washer
7	08314-31128	Nut
8	04111-30308	Cotter Pin
9	54600-36200	Box Assy, Speedometer Goar
10	59211-36202	Disk, Front Brake
11	09100-08140	Bolt
12	09169-08019	Washer
13	55100-10310	Tire
14	55200-11601	Tube, Inner
15	55411-47001	Balancer, Wheel No.1
16	55412-47001	Balancer, Wheel No.2

FIG.32 FRONT FENDER - HANDLEBAR



N° Réf.	N° Pièce	Désignation
1	53110-10300	Fender, Front
2	01107-08168	Bolt
3	08321-21088	Lock Washer
4	58621-21203	Guide, Cable
5	56111-10300	Handlebar
6	56111-10310	Handlebar
7	56170-10200	Cover, Steering Head
8	56175-10200	Bracket
9	02112-04088	Screw
10	08321-21048	Lock Washer
11	56500-45012	Mirror Assy, Rear View Rh
12	56600-45012	Mirror Assy, Rear View Lh
13	58100-10300	Cable, Front Brake
13	58100-10310	Cable, Front Brake
14	09287-08001	. . Dust Seal
15	09440-07007	. . Spring
16	09209-13003	. . Pin
17	09150-06001	. . Nut
18	58200-10300	Cable, Clutch
18	58200-10310	Cable, Clutch
19	58300-10300	Cable, Throttle
19	58300-10310	Cable, Throttle
20	35950-45010	Reflex Reflector, Front
21	08322-21058	Washer
22	08321-21058	Lock Washer
23	51910-25310	Lock Assy, Steering
24	02112-05128	Screw
25	08321-21058	Lock Washer
26	90001-31817	Lock Assy, Helmet
27	09407-12402	Band

FIG.33 RIGHT HANDLE SWITCH



N° Réf.	N° Pièce	Désignation
1	57100-10300	Grip Assy, Throttle
2	57110-45000	. Grip, Throttle
3	02112-05258	. Screw
4	57371-45000	. Button, Starter
5	57372-45000	. Contact
6	57382-45000	. Spring
7	57300-30501	Lever Assy, Brake
8	57420-39600	. Lever, Brake
9	57431-11010	. Bolt
10	08319-21068	. Nut
11	01107-06208	. Bolt
12	57441-11010	. Adjuster, Cable
13	57442-11010	. Nut
14	57461-18600	. Holder
15	57462-18600	. Spring
16	57463-18600	. Plate
17	57481-33010	. Cover
18	08322-21038	. Washer
19	08321-21038	. Lock Washer
20	09125-03105	. Screw
21	57300-11320	Lever Assy, Brake
22	57420-11320	. Lever, Brake
23	57431-18620	. Bolt
24	08319-21068	. Nut

FIG.34 LEFT HANDLE SWITCH

N° Réf.	N° Pièce	Désignation
1	57211-45020	Grip, Lh
2	57500-30501	Lever Assy, Clutch
2	57500-45020	Lever Assy, Clutch
3	57620-45020	• Lever, Clutch
4	57431-11010	• Bolt
5	08319-21068	• Nut
6	57441-11010	• Adjuster, Cable
7	57442-11010	• Nut
8	01107-06208	• Bolt
9	37400-45012	Switch Assy, Handle Lh
10	37411-45012	• Knob, Lighting
11	37421-45012	• Knob, Dimmer
12	02122-03068	• Screw
13	37513-45011	• Knob, Turn Signal
14	57371-45000	• Button, Horn
15	57372-45000	• Contact
16	57382-45000	• Spring
17	02112-05258	• Screw

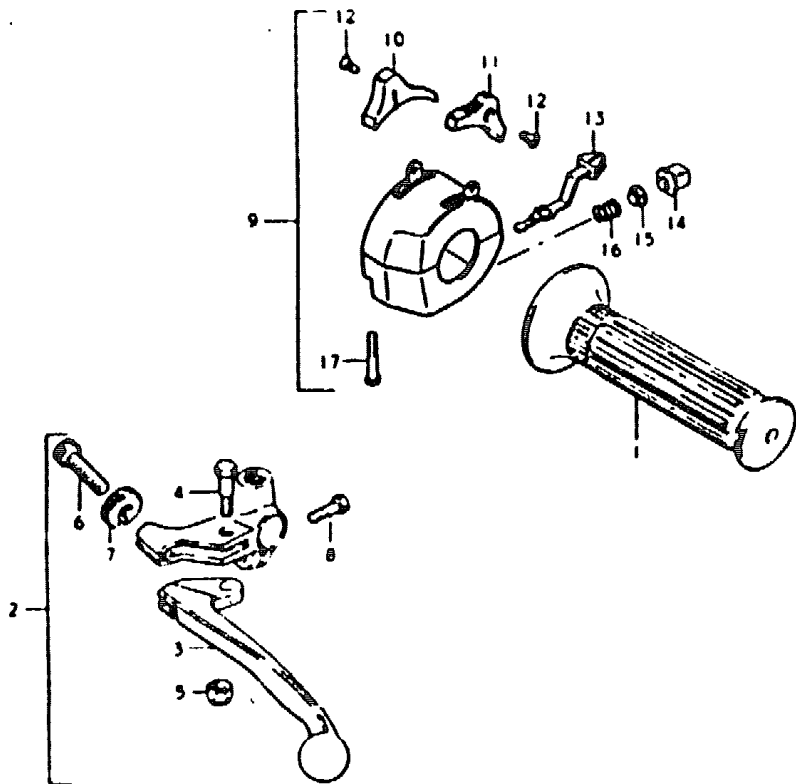
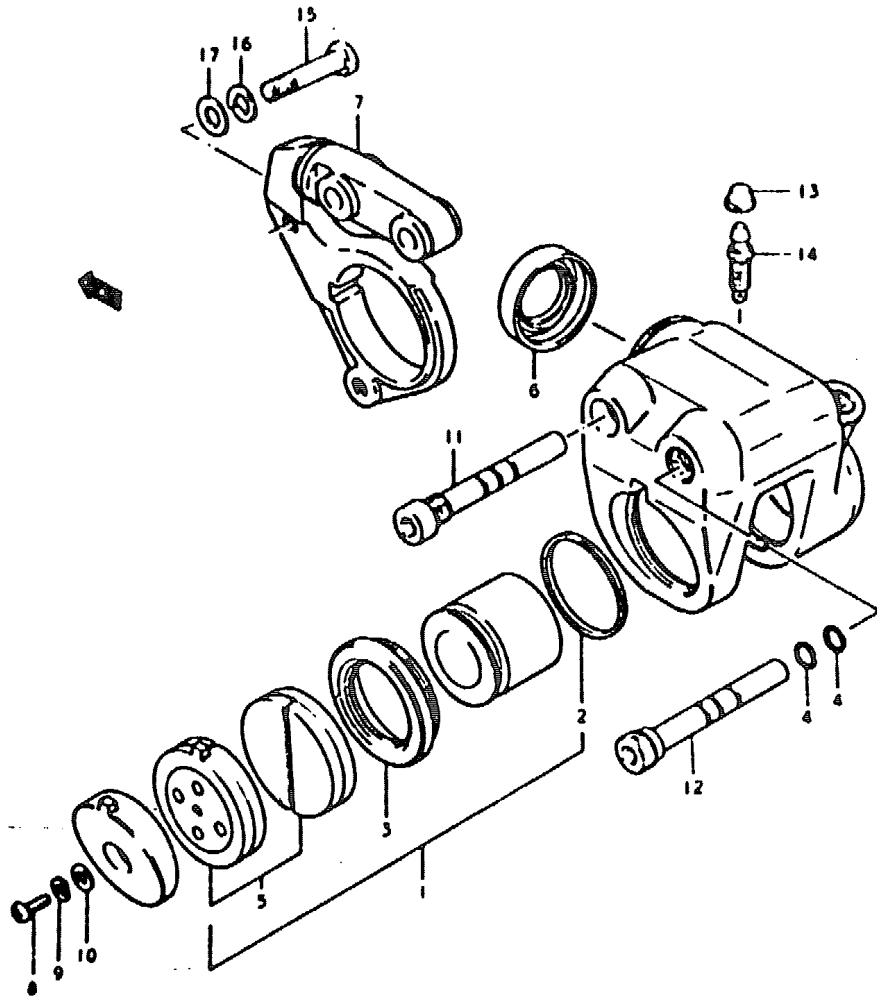
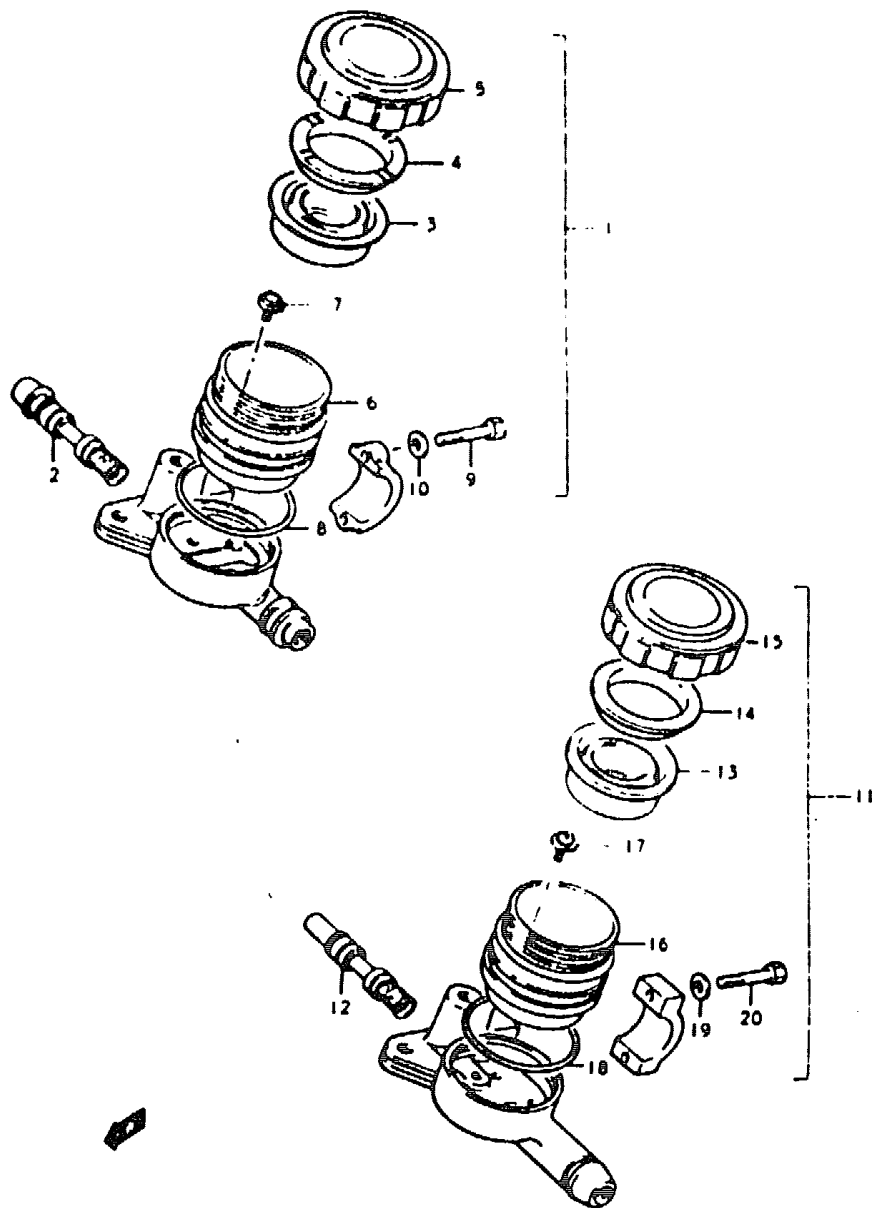


FIG.35 CALIPERS



N° Réf.	N° Pièce	Désignation
17	59100-47040	Calipers Assy
1	59100-47850	• . Piston & Pad Set
2	59107-34020	•• .. Seal, Piston
3	59108-34020	•• .. Boot, Piston
4	59111-34020	•• .. O Ring
5	59300-47840	•• .. Pad Set
6	59112-34020	•• .. Boot
7	59150-47020	• . Holder
8	02112-05107	• . Screw
9	08321-21058	• . Lock Washer
10	08322-21058	• . Washer
11	59305-45020	• . Axle, Calipers No.1
12	59306-45020	• . Axle, Calipers No.2
13	52474-60020	• . Cap
14	59121-34020	• . Bleeder
15	09104-10007	Bolt
16	08321-21108	Lock Washer
17	08322-21108	Washer

FIG.36 MASTER CYLINDER



N° Réf.	N° Pièce	Désignation
1	59600-33623	Cylinder Assy, Master
2	59600-33810	. Piston & Cup Set
3	59667-33620	. Diaphragm
4	59668-33620	. Plate
5	59669-33621	. Cap
6	59687-47021	. Reservoir
7	59688-33620	. Screw
8	59686-33620	. O Ring
9	01107-06258	. Bolt
10	08322-21068	. Washer
11	59600-33605	Cylinder Assy, Master
12	59600-18824	. Piston & Cup Set
13	59667-18441	. Diaphragm
14	59668-18441	. Plate
15	59669-18605	. Cap
16	59687-45000	. Reservoir
17	59688-33601	. Screw
18	59686-33600	. O Ring
19	08322-21068	. Washer
20	01107-06258	. Bolt

N° Réf.	N° Pièce	Désignation
1	59711-33600	Boot, Master Cylinder
1	59711-18401	Boot, Master Cylinder
2	09360-10003	Bolt
3	09161-10005	Washer
4	59480-10300	Hose, Brake
4	59480-10310	Hose, Brake
5	59243-11301	Guide, Hose No.1
6	51266-36200	Guide, Hose No.2
7	59244-36200	Grommet
8	01107-06108	Bolt
9	08321-21068	Lock Washer

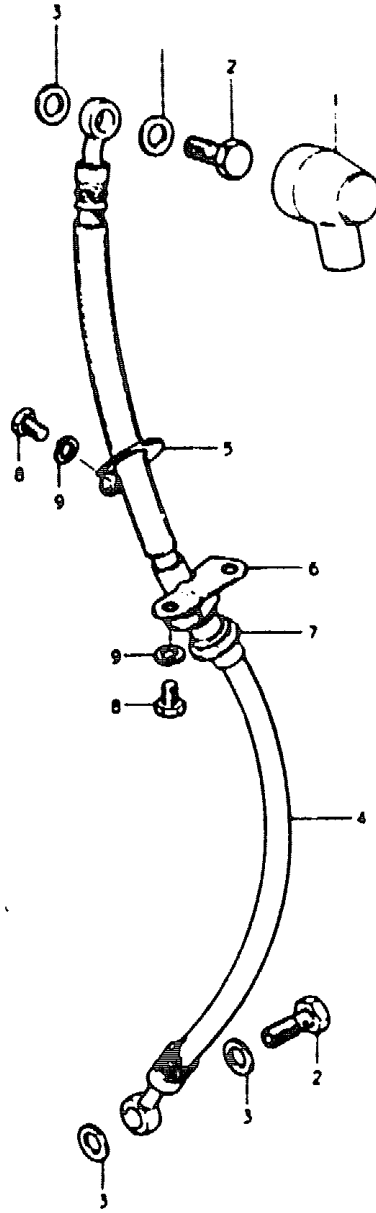
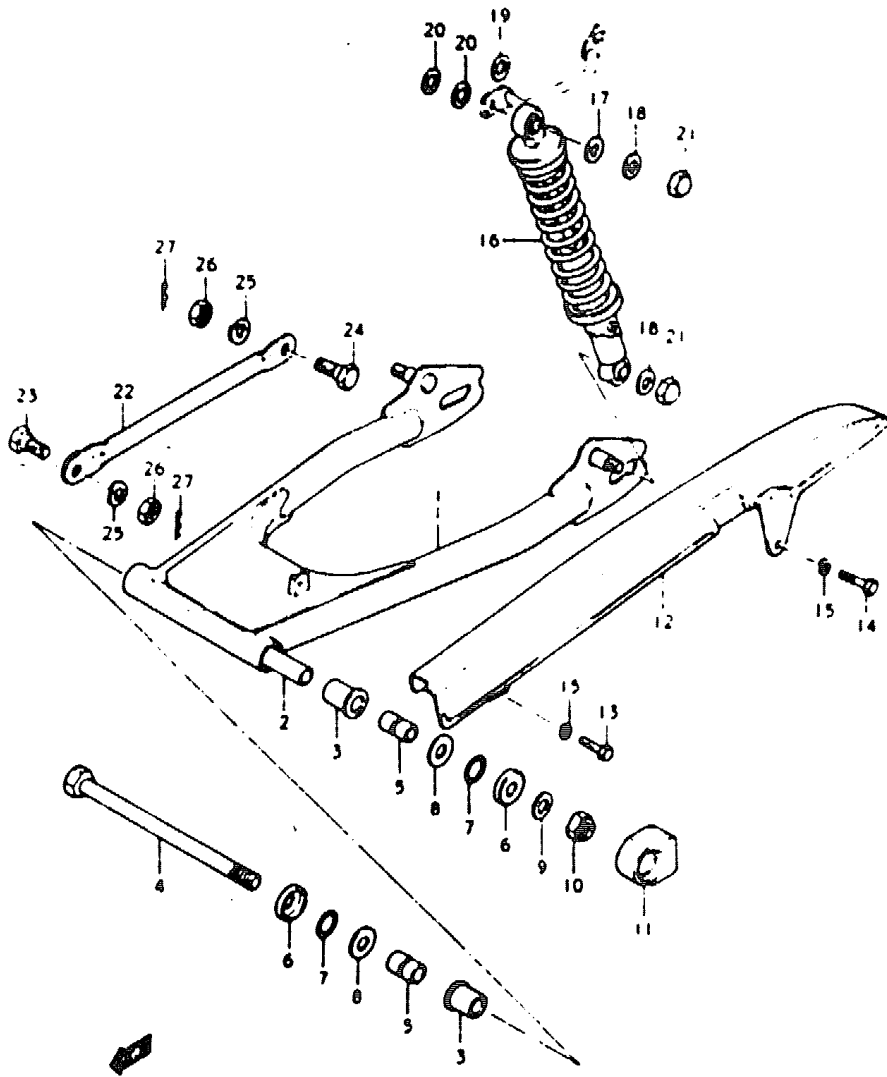


FIG.38 REAR SWINGING ARM

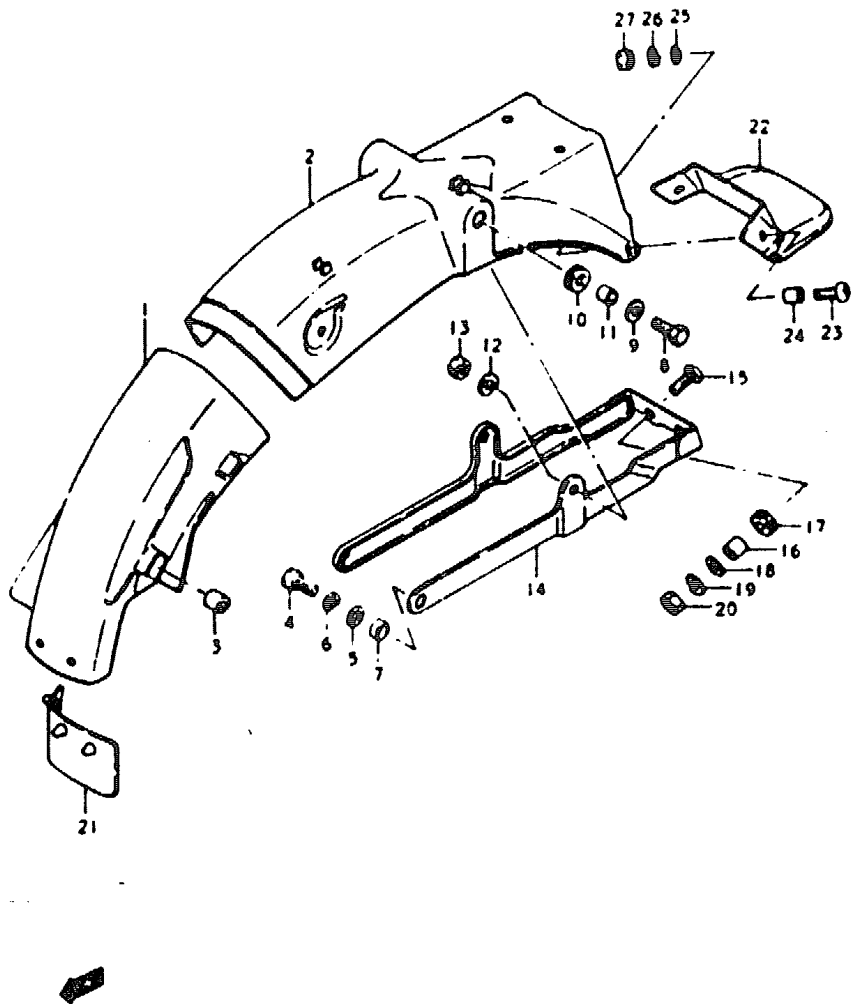


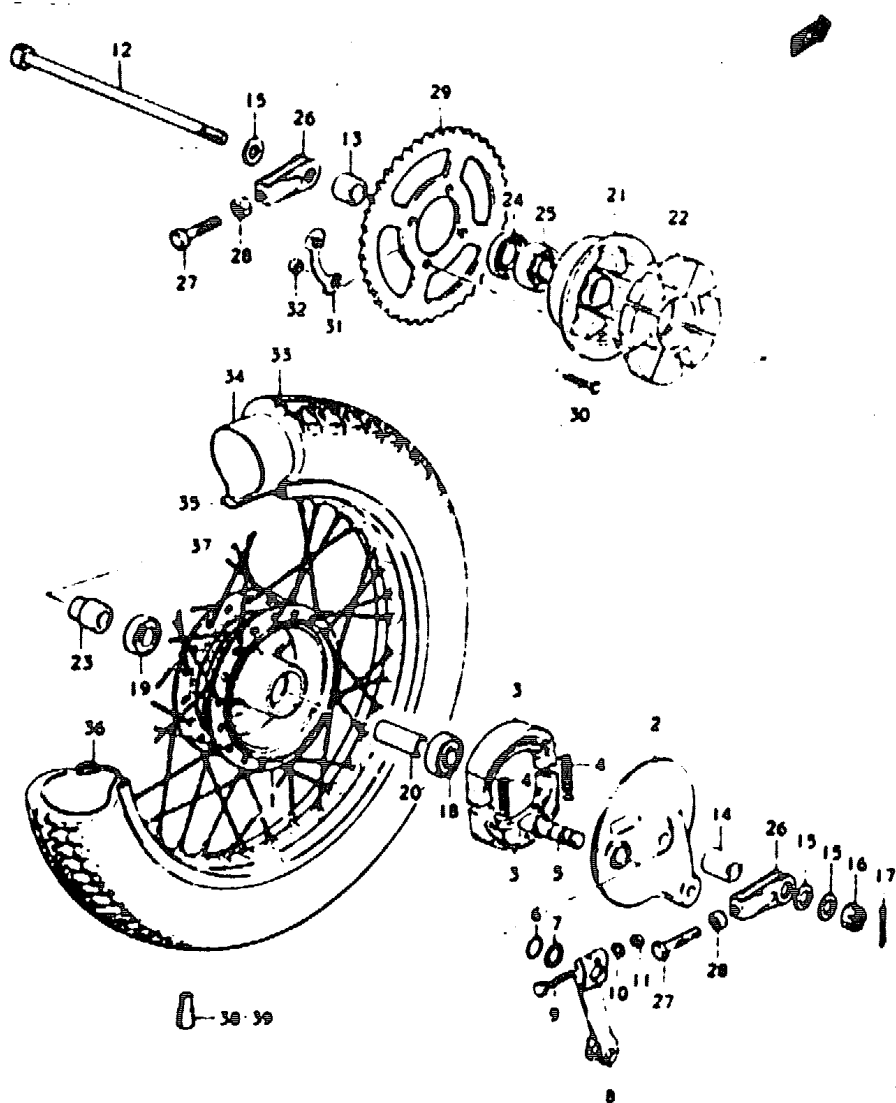
N° Réf.	N° Pièce	Désignation
1	61100-10830-019	Rear Swinging Arm Set
2	61280-28000	• . Spacer, Center
3	09307-18002	• . Bushing
4	61211-10200	Shaft, Pivot
5	61251-28000	Spacer
6	61262-09200	Cover
7	09280-24001	O Ring
8	09160-12005	Thrust Washer
9	08322-11128	Washer
10	08319-21128	Nut
11	61273-36000	Buffer, Chain Defense
12	61310-36203	Chain Case
13	01107-06108	Bolt
14	01107-06128	Bolt
15	08321-21068	Lock Washer
16	62100-10300	Shock Absorber Assy, Rear
17	09160-10033	Washer
18	09160-10001	Washer
19	09160-12012	Washer, Rh
20	08322-11128	Washer
21	08313-11108	Nut
22	64310-39000	Torque Link, Rear
23	09111-08012	Bolt
24	09111-08C	Bolt
25	08321-21088	Lock Washer
26	09140-08008	Nut
27	09385-10001	Clip



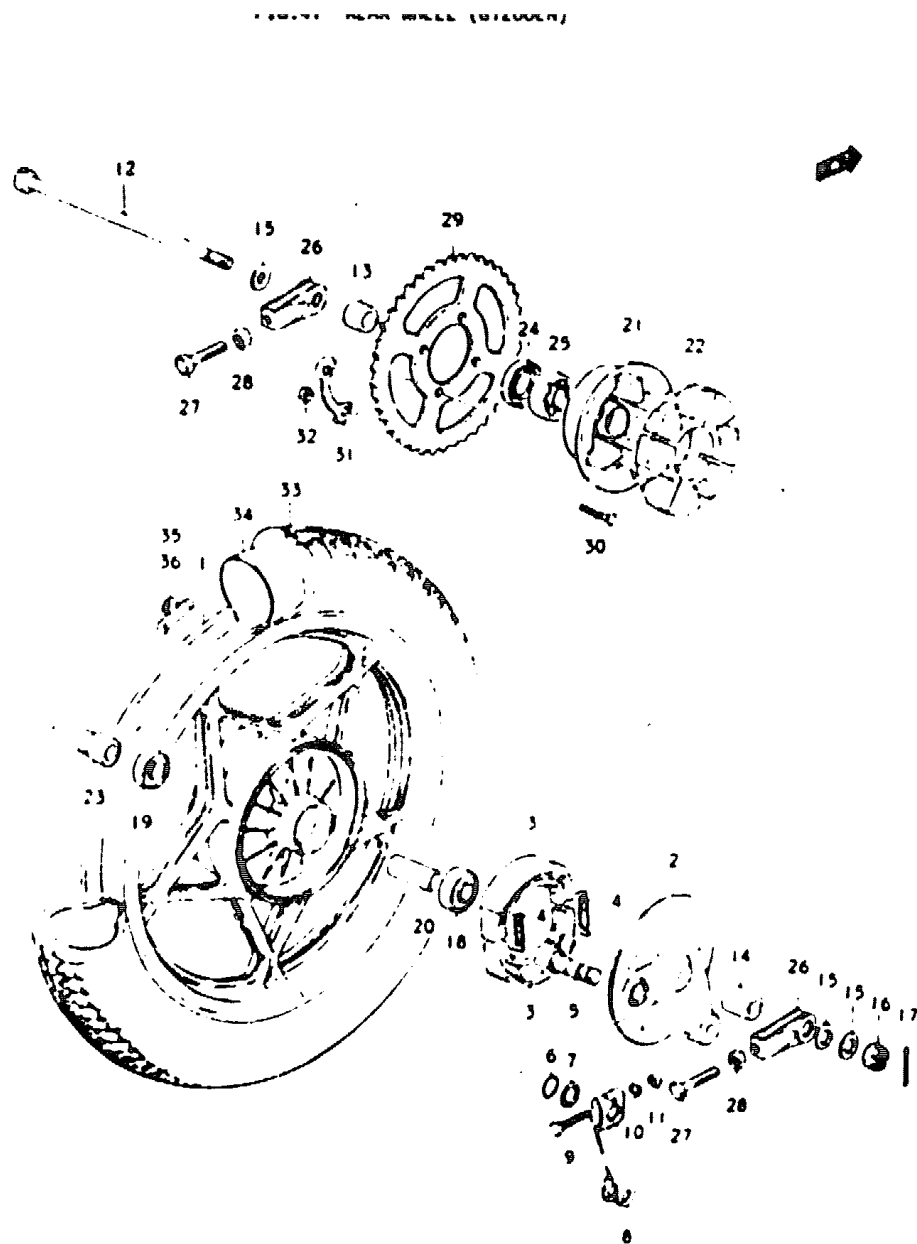
FIG.39 REAR FENDER

N° Réf.	N° Pièce	Désignation
1	63112-10201	Body, Rear Fender Front
2	63113-10300	Body, Rear Fender Rear
3	09329-05003	Cushion
4	01107-06128	Bolt
5	08322-21068	Washer
6	08321-21068	Lock Washer
7	09180-08052	Spacer
8	01107-08308	Bolt
9	08322-11088	Washer
10	09320-12011	Cushion
11	09180-08021	Spacer
12	08321-21088	Lock Washer
13	08310-12088	Nut
14	63120-10301	Reinforcement, Rear Fender
15	02142-06207	Screw
16	09180-06011	Spacer
17	09320-08013	Cushion
18	09160-06012	Washer
19	08321-21068	Lock Washer
20	08310-11068	Nut
21	63411-33000	Mud Guard, Rear Fender
22	63311-44600	Extension, Rear Fender
23	09125-06009	Screw
24	09180-06001	Spacer
25	09160-06028	Washer
26	08321-21068	Lock Washer
27	08310-11068	Nut



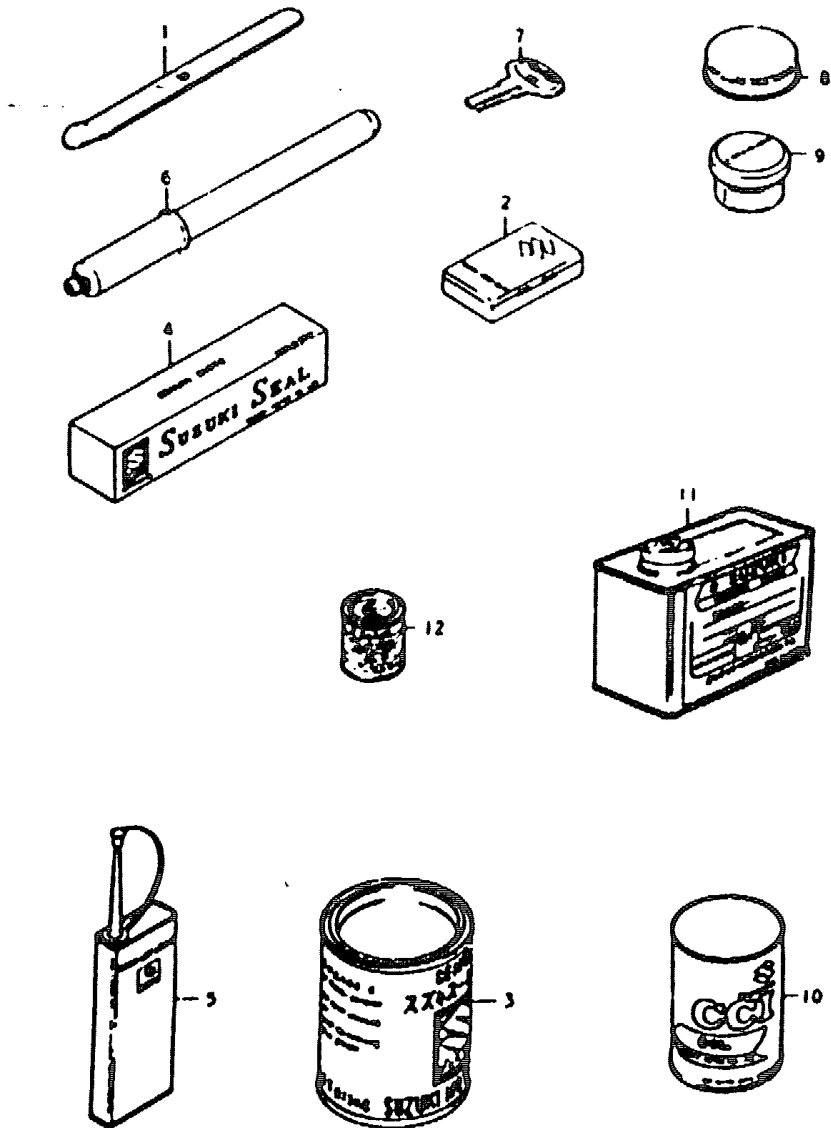


N° Réf.	N° Pièce	Désignation
1	64110-07602	Hub, Rear
2	64210-39100	Panel, Rear Hub
3	54410-07002	Shoe, Brake
4	09443-07001	Spring
5	54441-29301	Cam, Brake
6	09280-14003	O Ring
7	09160-14001	Washer
8	64451-48000	Lever, Brake Cam
9	09100-06078	Bolt
10	08322-21068	Washer
11	08310-11068	Nut
12	64711-48000	Axle, Rear
13	09180-15042	Spacer, Lh
14	09180-15002	Spacer, Rh
15	08322-11148	Washer
16	09141-14001	Nut
17	04111-30308	Cotter Pin
18	08144-63027	Bearing, Rh
19	08143-62027	Bearing, Lh
20	09180-15011	Spacer
21	64611-07000	Drum, Sprocket Mounting
22	64651-07001	Shock Absorber, Rear Hub
23	64733-39100	Retainer, Drum
24	09283-28002	Oil Seal
25	08113-62040	Bearing
26	61410-36001	Adjuster, Chain
27	09104-08006	Bolt
28	08310-12088	Nut
29	64511-10300	Sprocket, Rear
30	09105-08001	Bolt
31	09169-08012	Washer
32	08310-12088	Nut
33	65100-10310	Tire
34	55200-11601	Tube, Inner
35	55261-11010	Protector, Inner Tube
36	65311-10300	Rim, Wheel
37	65300-10830	Spoke Set
38	55411-11000	Balancer, Wheel No.1
39	55412-11000	Balancer, Wheel No.2



N° Réf.	N° Pièce	Désignation
1	64150-36400	Wheel, Rear
2	64210-39100	Panel, Rear Wheel
3	54410-07002	Shoe, Brake
4	09443-07001	Spring
5	54441-29301	Cam, Brake
6	09280-14003	O Ring
7	09160-14001	Washer
8	64451-48000	Lever, Brake Cam
9	09100-06078	Bolt
10	08322-21068	Washer
11	08310-11068	Nut
12	64711-48000	Axle, Rear
13	09180-15042	Spacer, Lh
14	09180-15002	Spacer, Rh
15	08322-11148	Washer
16	09141-14001	Nut
17	04111-30308	Cotter Pin
18	08144-63027	Bearing, Rh
19	08143-62027	Bearing, Lh
20	09180-15011	Spacer
21	64611-07000	Drum, Sprocket Mounting
22	64651-07001	Shock Absorber, Rear Wheel
23	64753-39100	Retainer, Drum
24	09283-28002	Oil Seal
25	08113-62040	Bearing
26	61410-36001	Adjuster, Chain
27	09104-08006	Bolt
28	08310-12088	Nut
29	64511-10300	Sprocket, Rear
30	09105-08001	Bolt
31	09169-08012	Lock Washer
32	08310-12088	Nut
33	65100-10310	Tire
34	55200-11601	Tube, Inner
35	55411-47001	Balancer, Wheel No.1
36	55412-47001	Balancer, Wheel No.2

FIG.42 OPTIONAL



N° Réf.	N° Pièce	Désignation
1	09825-00002	Lever, Fire
2	09826-00001	Tool Set, Repairing
3	99000-25030	Grease, Super
4	99000-31010	Gasket, Liquid
5	99000-32040	Cement, Thread Lock
6	09821-00004	Inflator, Air
7	37145-19710	Key, Blank
8	99000-25100	Grease, Calipers Axle
9	99000-25110	Grease, Brake Pad
10	99000-21145	Suzuki Cci Oil (1l*24)
10	99000-21460	Suzuki Cci Oil (1l*24)
10	99000-21021	Suzuki Cci Oil (4l*6)
10	99000-21150	Suzuki Cci Oil (200l)
10	99000-21250	Suzuki Cci Super Oil (1l*24)
10	99000-21260	Suzuki Cci Super Oil (4l*6)
11	99000-10105-019	Paint (black)
11	99000-10205-03K	Paint (marble Medium Yellow)
11	99000-10205-05K	Paint (marble Canadian Blue)
12	99000-10109-019	Paint (black)
12	99000-10209-03K	Paint (marble Medium Yellow)
12	99000-10209-05K	Paint (marble Canadian Blue)
13	11400-10830	Gasket Set